

WORKHOLDING



QUICK-GRIP®

In 1986 Joe Sorensen, an air boat builder in Nebraska, USA was looking for a better way to hold down his steel panels as the clamps he was using twisted the thin steel as he worked.

With a good idea for a new style of clamping, the concept for a pistol grip one-handed bar clamp was born. This revolutionary tool was quickly patented and brought to market in 1989 with a full line of clamps under the QUICK-GRIP® brand name. The line was later extended from the Original clamp to the Micro, Mini, Handi, Quick-Change, and more recently the XP clamp.

Since the launch, IRWIN® Quick-Grip® has become the world leader in one-handed bar clamps and is the industry standard which has changed the way tradespeople do their jobs, greatly improving their ability and efficiency on the job.



Record®

Originally established in 1898 in the South Yorkshire city of Sheffield in the UK. The Record Tools Factory was swiftly able to make a long lasting contribution to the worldwide reputation of the region for the manufacture of high quality steel and castings.

The Record® brand name was introduced in 1909 and by the 1920's the product range had expanded into Vices, Planes, Clamps and Pipe Wrenches enabling the business to grow rapidly in the UK and many overseas markets.

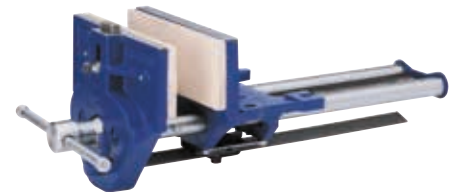
Today, IRWIN® Record® continues excelling by sticking to the traditional values set by its founders, producing tools that are highly valued amongst professional users for quality and durability that remains strong today.



QUICK CLAMPS & ACCESSORIES

STEEL CLAMPS

VICES



INTRODUCING THE NEXT GENERATION IN CLAMPING TOOLS

The new IRWIN® QUICK-GRIP® One-Handed Bar Clamp range allows end-users to be even more productive on the job. The new heavy-duty and medium-duty clamps feature a Quick-Change™ button for fast conversion to a spreader and for ease-of-use with a new line of One-Handed Bar Clamp Accessories.

These new IRWIN® QUICK-GRIP® One-Handed Bar Clamp Accessories provide added versatility and functionality to one-handed bar clamps—allowing users to DO MORE WITH QUICK-GRIP™.

HEAVY-DUTY ONE-HANDED BAR CLAMPS



NEW QUICK-CHANGE™
BUTTON

NEW REMOVABLE
SWIVEL JAWS &
NON-MARRING PADS

NEW

HEAVY-DUTY ONE-HANDED BAR CLAMPS

The IRWIN® QUICK-GRIP® Heavy-Duty One Handed Bar Clamp evenly distributes up to 272kg (600 lbs.) of sustained clamping pressure and is one of the top performing One-Handed Bar Clamps available. Ideal for heavy-duty applications such as installation, demolition and rough glue-up.

HEAT-TREATED, BLACK
OXIDE CARBON STEEL
I-BEAM

ADJUSTABLE
FOOT

ONE-HANDED QUICK-
RELEASE TRIGGER



- 1. NEW QUICK-CHANGE™ BUTTON**
Provides easy removal of jaws for accessory installation or conversion to a spreader
- 2. NEW REMOVABLE SWIVEL JAWS & NON-MARRING PADS**
Full-faced pads deliver even distribution of clamping force
- 3. ONE-HANDED QUICK-RELEASE TRIGGER**
New grip and trigger design provides simple, one-handed operation
- 4. HEAT-TREATED, BLACK OXIDE CARBON STEEL I-BEAM**
Support added pressure with less bend and flex for superior durability
- 5. ADJUSTABLE FOOT**
Provides added support allowing clamp to sit upright on table or work surface

272 kg

SUSTAINED CLAMPING FORCE

ITEM NO.	DESCRIPTION	SPREADING CAPACITY	THROAT DEPTH	EAN	MASTER PACK	SHELF PACK	LP Ex VAT £ / ITEM	RRP Inc VAT £ / ITEM	DISC CODE
10505942	150mm / 6" Heavy-Duty Bar Clamp/Spreader	235mm - 378mm 9-1/4" - 14-7/8"	92mm / 3-5/8"	5706915059427	-	2	27.38	32.86	IR (HT)
10505943	300mm (12") Heavy-Duty Bar Clamp/Spreader	235mm - 530mm 9-1/4" - 20-7/8"	92mm / 3-5/8"	5706915059434	-	2	30.57	36.68	
10505944	450mm (18") Heavy-Duty Bar Clamp/Spreader	235mm - 683mm 9-1/4" - 26-7/8"	92mm / 3-5/8"	5706915059441	-	2	33.84	40.61	
10505945	600mm (24") Heavy-Duty Bar Clamp/Spreader	235mm - 835mm 9-1/4" - 32-7/8"	92mm / 3-5/8"	5706915059458	-	2	38.66	46.39	
10505946	900mm (36") Heavy-Duty Bar Clamp/Spreader	235mm - 1140mm 9-1/4" - 44-7/8"	92mm / 3-5/8"	5706915059465	-	2	48.35	58.02	
10505947	1250mm (50") Heavy-Duty Bar Clamp/Spreader	235mm - 1496mm 9-1/4" - 58-7/8"	92mm / 3-5/8"	5706915059472	-	2	59.61	71.53	



10505942

MEDIUM-DUTY ONE-HANDED BAR CLAMPS

NEW



NEW QUICK-CHANGE™ BUTTON

NEW REMOVABLE SWIVEL JAWS & NON-MARRING PADS

HEAT-TREATED, BLACK OXIDE CARBON STEEL I-BEAM

ONE-HANDED QUICK-RELEASE TRIGGER

MEDIUM-DUTY ONE-HANDED BAR CLAMPS

The IRWIN® QUICK-GRIP® Medium-Duty One-Handed Bar Clamp evenly distributes up to 136kg (300 lbs) of sustained clamping force. Ideal for temporary hold-down, quick clamping applications



1. NEW QUICK-CHANGE™ BUTTON

Provides easy removal of jaws for accessory installation or conversion to a spreader

2. NEW REMOVABLE SWIVEL JAWS & NON-MARRING PADS

Full-faced pads deliver even distribution of clamping force

3. ONE-HANDED QUICK-RELEASE TRIGGER

New grip and trigger design provides simple, one-handed operation

4. HEAT-TREATED, BLACK OXIDE CARBON STEEL I-BEAM

Support added pressure with less bend and flex for superior durability

136 kg

SUSTAINED CLAMPING FORCE

ITEM NO.	DESCRIPTION	COUNTER TOP	SPREADING CAPACITY	THROAT DEPTH	EAN	MASTER PACK	SHELF PACK	LP Ex VAT £ / ITEM	RRP Inc VAT £ / ITEM	DISC CODE
T506QCEL7	150mm (6") Medium-Duty Bar Clamp/Spreader	-	200mm - 340mm 7-7/8" - 13-3/8"	81 mm / 3-3/16"	5706915000061	-	5	22.79	27.35	IR (HT)
T512QCEL7	300mm (12") Medium-Duty Bar Clamp/Spreader	-	200mm - 590mm 7-7/8" - 19-3/8"	81 mm / 3-3/16"	5706915000078	-	5	25.49	30.59	
T518QCEL7	450mm (18") Medium-Duty Bar Clamp/Spreader	-	200mm - 645mm 7-7/8" - 25-3/8"	81 mm / 3-3/16"	5706915000085	-	5	28.19	33.83	
T524QCEL7	600mm (24") Medium-Duty Bar Clamp/Spreader	-	200mm - 795mm 7-7/8" - 31-3/8"	81 mm / 3-3/16"	5706915000092	-	5	32.21	38.65	
T536QCEL7	900mm (36") Medium-Duty Bar Clamp/Spreader	-	200mm - 1120mm 7-7/8" - 43-3/8"	81 mm / 3-3/16"	5706915000108	-	5	40.25	48.30	
T5082QCEL7	150mm (6") Medium-Duty Bar Clamp/Spreader Twin Pack	✓	200mm - 340mm 7-7/8" - 13-3/8"	81 mm / 3-3/16"	0385485062584	-	5	34.22	41.06	
T5122QCEL7	300mm (12") Medium-Duty Bar Clamp/Spreader	✓	200mm - 590mm 7-7/8" - 19-3/8"	81 mm / 3-3/16"	0385485122592	-	5	38.25	45.90	

MINI ONE-HANDED BAR CLAMP



T5412EL7

NEW

ITEM NO.	DESCRIPTION	COUNTER TOP	THROAT DEPTH	EAN	MASTER PACK	SHELF PACK	LP Ex VAT £ / ITEM	RRP Inc VAT £ / ITEM	DISC CODE
T546EL7	150mm (6") Mini Clamp	-	2-7/16" / 62mm	5715110790585	-	5	8.17	9.80	IR (HT)
T5462EL7	150mm (6") Mini Clamp - 2 Pack	✓	2-7/16" / 62mm	5715110790592	-	5	12.25	14.70	
T5412EL7	300mm (12") Mini Clamp	-	2-7/16" / 62mm	5715110790622	-	5	9.96	11.95	
T54122EL7	300mm (12") Mini Clamp - 2 Pack	✓	2-7/16" / 62mm	5715110790639	-	5	14.90	17.88	

EVENLY DISTRIBUTES UP TO 63kg (140 lbs.) of sustained clamping force
IDEAL FOR LIGHT-DUTY APPLICATIONS like woodworking and a variety of smaller projects
NON-MARRING FULL-FACE PADS protect work surfaces
ONE-HANDED QUICK-RELEASE™ TRIGGER

MICRO ONE-HANDED BAR CLAMP



T53006EL7

NEW

ITEM NO.	DESCRIPTION	THROAT DEPTH	EAN	MASTER PACK	SHELF PACK	LP Ex VAT £ / ITEM	RRP Inc VAT £ / ITEM	DISC CODE
T53006EL7	115mm (4.5") Micro Clamp	1-3/16" / 30mm	5715110790547	-	10	4.61	5.53	IR (HT)
T530062EL7	115mm (4.5") Micro Clamp - 2 Pack	1-3/16" / 30mm	5715110801021	-	5	6.91	8.29	

SPECIALLY DESIGNED for home, craft and hobby use providing 15kg (35 lbs.) of clamping pressure
IDEAL FOR DELICATE WORK requiring light clamping pressure
NON-MARRING FULL-FACE PADS protect work surfaces
ONE-HANDED QUICK-RELEASE™ TRIGGER

HANDI CLAMPS

Strong ratcheting mechanism provides variable clamping pressure 20kg (44 lbs). Quick-Release trigger allows for fast and easy positioning and release. The ideal clamp for jobs in workshop, house and garden. Specially designed jaws hold odd-shaped workpieces.

ITEM NO.	DESCRIPTION	COUNTER TOP	THROAT DEPTH	EAN	MASTER PACK	SHELF PACK	LP Ex VAT £ / ITEM	RRP Inc VAT £ / ITEM	DISC CODE
T59100ECD	38mm (1-1/4") Handi Clamp	✓	1-1/2" / 38mm	0038548591001	-	20	5.85	7.02	IR (HT)
T59200ECD	50mm (2") Handi Clamp	✓	2" / 50mm	0038548592008	-	12	9.39	11.27	
T59400ECD	100mm (4") Handi Clamp	-	4" / 100mm	0038548594002	-	10	13.04	15.65	



T59200ECD

SPRING CLAMPS

High-tech resin construction provides strength and durability. Best for simple and convenient light clamping crafts.

ITEM NO.	DESCRIPTION	THROAT DEPTH	EAN	MASTER PACK	SHELF PACK	LP Ex VAT £ / ITEM	RRP Inc VAT £ / ITEM	DISC CODE
T58100EL7	25mm (1") Spring Clamp	1-1/2" / 38mm	0038548581019	50	10	3.75	4.50	IR (HT)
T58200EL7	50mm (2") Spring Clamp	2" / 50mm	0038548582016	50	10	5.71	6.85	
T58300EL7	75mm (3") Spring Clamp	3" / 75mm	0038548582016	25	5	8.58	10.30	



T58200EL7

REPLACEMENT PADS

ITEM NO.	DESCRIPTION	EAN	MASTER PACK	SHELF PACK	LP Ex VAT £ / ITEM	RRP Inc VAT £ / ITEM	DISC CODE
1826576	XP Pads, 2 per Pack (Previous Model HD Clamp)	0038548998640	-	5	5.47	6.56	IR (HT)
1826577	Quick-Change Pads, 2 per Pack (Previous Model MD Clamp)	0038548998657	-	5	5.47	6.56	
1826578	Mini Replacement Pads, 4 per Pack	0038548998664	-	5	3.50	4.20	
1826579	Handi Clamp Replacement Pads, 6 per Pack	0038548998671	-	5	3.50	4.20	



1826576



1826577

ONE-HANDED BAR CLAMP ACCESSORIES

The new IRWIN® QUICK-GRIP® One-Handed Bar Clamps are designed to be compatible with the new line of One-Handed Bar Clamp Accessories. The chart below outlines which accessories fit which of the newly designed clamps and which accessories can also be used with the previous generation of IRWIN® QUICK-GRIP® One-Handed Bar Clamps.

DO MORE WITH QUICK-GRIP™



Edge Clamping



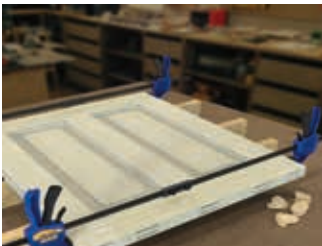
Wider Clamping Pressure



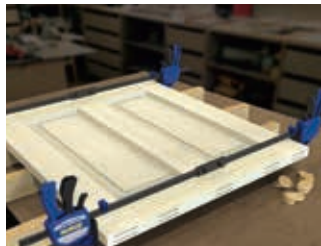
Corner Clamping



Table Clamping



Coupling (Medium-Duty)



Coupling (Heavy-Duty)



Deck Building



Parallel Clamping

EDGE CLAMP



1988919

ITEM NO.	DESCRIPTION	APPLICATION INFORMATION	EAN	MASTER PACK	SHELF PACK	LP Ex VAT \$ / ITEM	RRP Inc VAT \$ / ITEM	DISC CODE
1988919	Edge Clamp	Converts One-Handed Bar Clamp into an edge clamp for easy clamping of trim and edging	5706919889198	40	5	7.65	9.18	IR (HT)

COUPLERS

1988920



ITEM NO.	DESCRIPTION	APPLICATION INFORMATION	EAN	MASTER PACK	SHELF PACK	LP Ex VAT \$ / ITEM	RRP Inc VAT \$ / ITEM	DISC CODE
1988920	Medium-Duty Clamp Coupler	Connects the bars of two shorter One-Handed Bar Clamps to create one longer clamp	5706919889204	40	5	6.16	7.39	IR (HT)

1988931



1988931	Heavy-Duty Clamp Coupler	Connects the bars of two shorter One-Handed Bar Clamps to create one longer clamp	5706919889310	40	5	6.47	7.76	IR (HT)
---------	--------------------------	---	---------------	----	---	------	------	---------

HOLD DOWN JIG

1988932



ITEM NO.	DESCRIPTION	APPLICATION INFORMATION	EAN	MASTER PACK	SHELF PACK	LP Ex VAT \$ / ITEM	RRP Inc VAT \$ / ITEM	DISC CODE
1988932	Hold Down Jig	Converts One-Handed Bar Clamp into a table clamp	5706919889327	40	5	7.60	9.12	IR (HT)

WIDE PADS



1988933

ITEM NO.	DESCRIPTION	APPLICATION INFORMATION	EAN	MASTER PACK	SHELF PACK	LP Ex VAT \$ / ITEM	RRP Inc VAT \$ / ITEM	DISC CODE
1988933	Wide Pads	Double the width of standard pads to distribute clamping force onto a wider surface area	5706919889334	40	5	6.52	7.82	IR (HT)

CORNER CLAMP

ITEM NO.	DESCRIPTION	APPLICATION INFORMATION	EAN	MASTER PACK	SHELF PACK	LP Ex VAT £ / ITEM	RRP Inc VAT £ / ITEM	DISC CODE
1988935	Corner Clamp Pads	Converts One-Handed Bar Clamp into a corner clamp for easy clamping of 90° angles	5706919889358	40	5	6.16	7.39	IR (HT)



DECK TOOL

ITEM NO.	DESCRIPTION	APPLICATION INFORMATION	EAN	MASTER PACK	SHELF PACK	LP Ex VAT £ / ITEM	RRP Inc VAT £ / ITEM	DISC CODE
1988934	Deck Tool Kit	Converts One-Handed Bar Clamp into a deck clamp for easy, accurate spacing, aligning and holding during deck building	5706919889341	40	5	8.22	9.86	IR (HT)



CLAMP STAND

ITEM NO.	DESCRIPTION	APPLICATION INFORMATION	EAN	MASTER PACK	SHELF PACK	LP Ex VAT £ / ITEM	RRP Inc VAT £ / ITEM	DISC CODE
1988936	Clamp Stand	Converts One-Handed Bar Clamp for level clamping; ideal for parallel clamping applications such as frames, caseworks and drawers	5706919889365	40	5	7.91	9.49	IR (HT)



ACCESSORY SELECTION GUIDE

SKU Code	Accessories	NEW		Quick-Change	XP
		Medium-Duty	Heavy-Duty		
1988919	Edge Clamp	✓		✓	
1988920	Medium-Duty Clamp Coupler	✓		✓	
1988931	Heavy-Duty Clamp Coupler		✓		✓
1988932	Hold Down Jig	✓	✓	✓	✓
1988933	Wide Pads	✓	✓		
1988934	Deck Tool Kit	✓			
1988935	Corner Clamp Pads	✓	✓		
1988936	Clamp Stand	✓	✓	✓	✓



CLAMPING TOOLS SELECTION GUIDE

CLAMPS & SPECS	ONE-HANDED BAR CLAMPS				HANDI / SPRING CLAMPS	
	MICRO	MINI	MEDIUM-DUTY	HEAVY-DUTY	HANDI-CLAMP	SPRING CLAMP
Holding Force:	15 kg / 35 lbs	63 kg / 140 lbs	136 kg / 300 lbs	272 kg / 600 lbs	20 - 40 kg	15 - 30 kg
Clamp Capacity:	115 mm	150 - 300 mm	150 - 900 mm	150 - 1250 mm	30 - 100 mm	30 - 75 mm
Throat Depth:	30mm (1-3/16")	62mm (2-7/16")	81 mm (3-3/16")	92mm (3-5/8")	38 - 100 mm	30 - 75 mm
Spreading Capacity:	-	-	200mm - 1120mm (7-7/8" - 43-3/8")	235mm - 1496mm (9-1/4" - 58-7/8")	-	-
Crafts / light-duty clamping	●	●	◐		◐	○
Temporary hold-down quick clamping	●	●	●	●	◐	○
Flat panels / Solid edge wood glue-up / Deep-reach clamping				◐		
Irregular shape / Multiple surface Corner joining			◐	◐		
Installation / Demolition / Heavy-duty clamping			◐	●		

○ = Good ◐ = Better ● = Best

WORKHOLDING



HEAVY-DUTY CLAMPING

IRWIN® Record® range of PRO clamps deliver the right fit, features and pressure for heavy-duty clamping jobs. Professionals will get the clamping performance they need to get the job done right.

IRWIN® RECORD® PRO CLAMP

THERMOPLASTIC ELASTOMERS (TPE) PADS

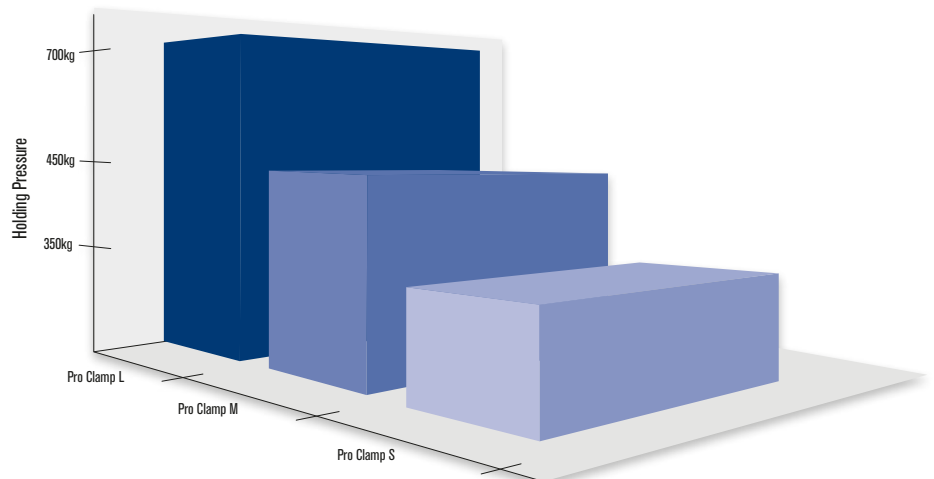
3-COMPONENT HANDLE

ZINC PLATED I-BEAM

ENHANCED PERFORMANCE

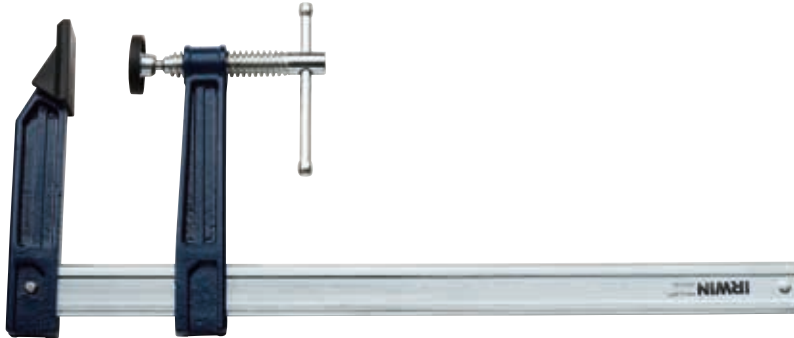
- 1. THERMOPLASTIC ELASTOMERS (TPE) PADS**
Pads snap fit to prevent loss and provide excellent friction to work surface while reducing marking
- 2. 3-COMPONENT HANDLE**
For higher torque transfer than wood, plus added comfort (L range has tommy bar)
- 3. ENHANCED PERFORMANCE**
Updated Rib location improves strength at less weight and allows the clamp to stand horizontally or vertically
- 4. ZINC PLATED I-BEAM**
Provides higher mechanical strength, less torsion and rust prevention

PRO CLAMP HOLDING PRESSURES COMPARISON



HEAVY-DUTY PRO CLAMP L WITH TOMMY BAR - CLAMPING DEPTH 140mm

Bar Dimension 35 x 9 mm



700 kg

HOLDING PRESSURE

ITEM NO.	DESCRIPTION	CLAMP CAPACITY	EAN	MASTER PACK	SHELF PACK	LP Ex VAT £ / ITEM	RRP Inc VAT £ / ITEM	DISC CODE
10503574	Pro Clamp L, 400mm	16" / 400mm	5706915035742	-	3	39.62	47.54	RR
10503575	Pro Clamp L, 600mm	24" / 600mm	5706915035759	-	3	44.05	52.86	
10503576	Pro Clamp L, 800mm	32" / 800mm	5706915035766	-	3	48.47	58.16	
10503577	Pro Clamp L, 1000mm	40" / 1000mm	5706915035773	-	3	52.65	63.18	
10503578	Pro Clamp L, 1250mm	50" / 1250mm	5706915035780	-	3	57.22	68.66	
10503579	Pro Clamp L, 1500mm	60" / 1500mm	5706915035797	-	3	61.74	74.09	



10503574

MEDIUM DUTY PRO CLAMP M - CLAMPING DEPTH 120mm

Bar Dimension 30 x 8 mm



450 kg

HOLDING PRESSURE

ITEM NO.	DESCRIPTION	CLAMP CAPACITY	EAN	MASTER PACK	SHELF PACK	LP Ex VAT £ / ITEM	RRP Inc VAT £ / ITEM	DISC CODE
10503569	Pro Clamp M, 300mm	12" / 300mm	5706915035698	-	4	26.81	32.17	RR
10503570	Pro Clamp M, 400mm	16" / 400mm	5706915035704	-	4	28.10	33.72	
10503571	Pro Clamp M, 600mm	24" / 600mm	5706915035711	-	4	31.39	37.67	
10503572	Pro Clamp M, 800mm	32" / 800mm	5706915035728	-	4	34.88	41.86	
10503573	Pro Clamp M, 1000mm	40" / 1000mm	5706915035735	-	4	38.84	46.61	



10503569

LIGHT DUTY PRO CLAMP S - CLAMPING DEPTH 80mm

Bar Dimension 25 x 6 mm



350 kg

HOLDING PRESSURE

ITEM NO.	DESCRIPTION	CLAMP CAPACITY	EAN	MASTER PACK	SHELF PACK	LP Ex VAT £ / ITEM	RRP Inc VAT £ / ITEM	DISC CODE
10503564	Pro Clamp S, 200mm	8" / 200mm	5706915035643	-	4	15.39	18.47	RR
10503565	Pro Clamp S, 300mm	12" / 300mm	5706915035650	-	4	18.57	22.28	
10503566	Pro Clamp S, 400mm	16" / 400mm	5706915035667	-	4	20.12	24.14	
10503567	Pro Clamp S, 600mm	24" / 600mm	5706915035674	-	4	21.65	25.98	
10503568	Pro Clamp S, 800mm	32" / 800mm	5706915035681	-	4	23.18	27.82	



10503565



T-BAR CLAMPS 136 SERIES AND SPARE PARTS

These clamps resist twisting and distortion under clamping pressures. Both the head and slide are guaranteed unbreakable. The slide is secured by a solid steel pin passing through one of the locating holes spaced along the steel bar. The steel mainscrew applies pressure quickly and smoothly through a fast acting, hard wearing rolled thread. Slides and heads are flat bottomed so that the clamp will stand without support.



1000 kg
HOLDING PRESSURE

ITEM NO.	DESCRIPTION	CLAMP CAPACITY	EAN	MASTER PACK	SHELF PACK	LP Ex VAT £ / ITEM	RRP Inc VAT £ / ITEM	DISC CODE
T1365	T-Bar Clamp	42" / 1070mm	0734442034087	-	1	67.77	81.32	RI
T1366	T-Bar Clamp	48" / 1200mm	0734442034209	-	1	70.49	84.59	
T1367	T-Bar Clamp	54" / 1350mm	0734442034322	-	1	71.50	85.80	
T1369	T-Bar Clamp	66" / 1680mm	0734442034445	-	1	78.01	93.61	
T13611	T-Bar Clamp	78" / 1980mm	0734442034568	-	1	92.43	110.92	
TL1366	48" Lengthening Bar (1220mm)	-	0734442034681	-	1	56.53	67.84	
T136D	Tailslide with Peg & Chain	-	0734442046561	-	1	51.32	61.58	

SASH CLAMPS 135 SERIES AND SPARE PARTS

These cut heavy-duty clamps have a bar section of 32mm x 6mm (1-1/4" x 1/4"). The slide and head are guaranteed unbreakable.

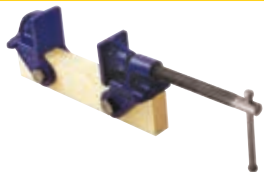


500 kg
HOLDING PRESSURE

ITEM NO.	DESCRIPTION	CLAMP CAPACITY	EAN	MASTER PACK	SHELF PACK	LP Ex VAT £ / ITEM	RRP Inc VAT £ / ITEM	DISC CODE
T1352	Sash Clamp	24" / 610mm	0734442033363	-	1	47.80	57.36	RI
T1353	Sash Clamp	30" / 760mm	0734442033486	-	1	49.68	59.62	
T1354	Sash Clamp	36" / 915mm	0734442033608	-	1	52.37	62.84	
T1355	Sash Clamp	42" / 1070mm	0734442033721	-	1	55.72	66.86	
T1356	Sash Clamp	48" / 1220mm	0734442033844	-	1	56.89	68.27	
T1357	Sash Clamp	54" / 1370mm	0734442033851	-	1	58.20	69.84	
T1359	Sash Clamp	66" / 1980mm	0734442033875	-	1	59.52	71.42	
TL1354	Sash Clamp, 36" Lengthening Bar (915mm)	-	0734442033967	-	1	38.40	46.08	
T135D	Tailslide with Peg & Chain	-	0734442045366	-	1	31.64	37.97	
T135E	Peg & Chain	-	0734442045960	-	1	11.74	14.09	

CLAMP HEADS

Low cost alternative to full size bar clamps, the grey cast iron head and slide with steel mainscrew can be fitted to a wooden batten 25mm (1") thick by 38mm (1-1/2") wide and any length.



ITEM NO.	DESCRIPTION	EAN	MASTER PACK	SHELF PACK	LP Ex VAT £ / ITEM	RRP Inc VAT £ / ITEM	DISC CODE
TM130	Clamp Head, 1" x 1-1/2" / 25 x 38mm	0734442348078	-	6	24.46	29.35	RR

MITRE CUTTING CORNER CLAMPS

Accurate mitre clamping is provided by IRWIN® Record® Corner Clamps. The clamps have two countersunk holes for fixing to a wooden block, which can then be secured between the jaws of a bench vice. Thanks to the precision machined clamping surfaces and open design, these clamps are straight forward to operate and provide easy access for glueing and nailing.



ITEM NO.	DESCRIPTION	CLAMP CAPACITY	EAN	MASTER PACK	SHELF PACK	LP Ex VAT £ / ITEM	RRP Inc VAT £ / ITEM	DISC CODE
TM140	Mitre Cutting Corner Clamp 50mm	2" / 50mm	0734442028444	24	1	18.53	22.24	RR
TM141	Mitre Cutting Corner Clamp 100mm	4-1/4" / 105mm	0734442028404	24	1	65.62	78.74	

FLOORING CLAMP

Designed to close up floor boards prior to nailing, this compact and robust clamp has two spring loaded cams which straddle the joist, holding the clamp firmly in position. Turning the handle then moves the shoe forward, pushing the floorboard into position. For standard 75mm (3") joists.



ITEM NO.	DESCRIPTION	CLAMP CAPACITY	EAN	MASTER PACK	SHELF PACK	LP Ex VAT £ / ITEM	RRP Inc VAT £ / ITEM	DISC CODE
TMFC153	Unbreakable S.G. Iron Flooring Clamp 75mm	3" / 75mm	0734442034926	6	1	238.91	286.69	RR

G-CLAMPS

IRWIN® Record® G-Clamps have an I-Braced design. They feature an adjustable steel swivel shoe to help clamp uneven surfaces and operation is fast and smooth due to the twin-start Acme cold rolled thread.

HEAVY-DUTY G-CLAMPS 121 SERIES - THE STRONGEST G-CLAMP

SWIVEL SHOE

TWIN-START ACME COLD ROLLED THREAD

FUSED STEEL HANDLE

DROP-FORGED STEEL FRAME

HEAVY-DUTY G-CLAMPS 121 SERIES

IRWIN® Record® Heavy-Duty G-Clamps are recommended particularly for metalworking and fabrication work where a very high clamping force is demanded.



- 1. DROP-FORGED STEEL FRAME**
For strength and durability. Recommended for heavy-duty metal and fabrication work
- 2. SWIVEL SHOE**
Helps clamping on uneven surfaces
- 3. TWIN-START ACME COLD ROLLED THREAD**
For faster and smoother operation
- 4. FUSED STEEL HANDLE**
Will bend before the clamp can be overstressed

ITEM NO.	DESCRIPTION	CLAMP CAPACITY	PROOF LOAD	EAN	MASTER PACK	SHELF PACK	LP Ex VAT £ / ITEM	RRP Inc VAT £ / ITEM	DISC CODE
T1213	Heavy-Duty G-Clamp	3" / 75mm	2700 kg	0734442031802	24	4	38.07	45.68	RI
T1214	Heavy-Duty G-Clamp	4" / 100mm	3200 kg	0734442031925	24	4	55.03	66.04	
T1216	Heavy-Duty G-Clamp	6" / 150mm	4000 kg	0734442032045	12	1	73.45	88.14	
T1218	Heavy-Duty G-Clamp	8" / 200mm	5770 kg	0734442032168	12	1	93.34	112.01	
T12110	Heavy-Duty G-Clamp	10" / 250mm	6200 kg	0734442032281	6	1	129.76	155.71	
T12112	Heavy-Duty G-Clamp	12" / 300mm	6800 kg	0734442032403	6	1	179.24	215.09	
T1224	Deep Throat G-Clamp	4" / 100mm	-	0734442030843	40	4	51.24	61.49	



T1218

MEDIUM-DUTY G-CLAMPS 119 SERIES

IRWIN® Record® medium-duty clamps have a thin frame for getting into tight corners and confined spaces, yet are very strong and rigid.

ITEM NO.	DESCRIPTION	CLAMP CAPACITY	EAN	MASTER PACK	SHELF PACK	LP Ex VAT £ / ITEM	RRP Inc VAT £ / ITEM	DISC CODE
T1192	Medium-Duty G-Clamp	2" / 50mm	0734442030485	-	6	6.05	7.26	RR
T1193	Medium-Duty G-Clamp	3" / 75mm	0734442030720	-	6	8.20	9.84	
T1194	Medium-Duty G-Clamp	4" / 100mm	0734442000600	-	6	11.45	13.74	
T1196	Medium-Duty G-Clamp	6" / 150mm	0734442041337	-	6	12.91	15.49	



T1193

GENERAL PURPOSE G-CLAMPS 120 SERIES

Ideal for metal and woodworking applications, the IRWIN® Record® 120 is the most popular and widely used of G-Clamps.

ITEM NO.	DESCRIPTION	CLAMP CAPACITY	EAN	MASTER PACK	SHELF PACK	LP Ex VAT £ / ITEM	RRP Inc VAT £ / ITEM	DISC CODE
T1203	General Purpose G-Clamp	3" / 75mm	0734442031086	72	4	20.16	24.19	RR
T1204	General Purpose G-Clamp	4" / 100mm	0734442031208	72	4	20.71	24.85	
T1206	General Purpose G-Clamp	6" / 150mm	0734442031321	60	4	29.64	35.57	
T1208	General Purpose G-Clamp	8" / 200mm	0734442031444	24	1	46.16	55.39	
T12010	General Purpose G-Clamp	10" / 250mm	0734442031567	24	1	71.36	85.63	
T12012	General Purpose G-Clamp	12" / 300mm	0734442031680	24	1	100.23	120.28	



T1204



IRWIN®

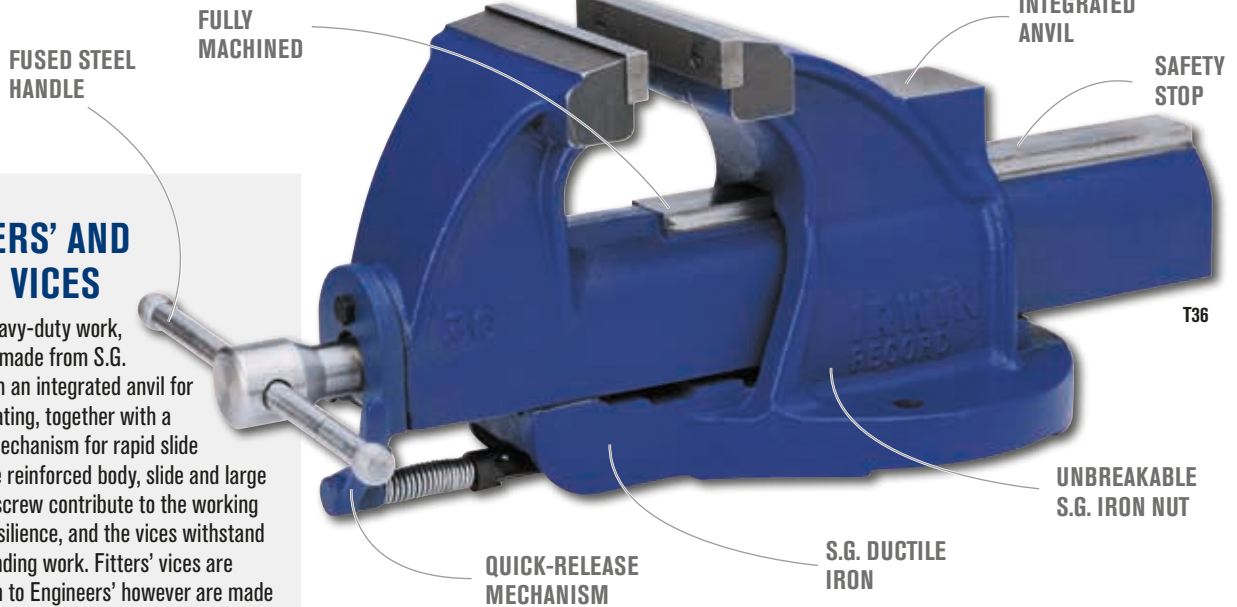
Record®



VICES AND ACCESSORIES

IRWIN® Record® Vices have become the benchmark by which all other vices are measured. Design, choice of materials and manufacturing disciplines each set very high standards which, for the end user, translate into safety, reliability and excellent value.

ENGINEERS' VICE - LIFETIME VICE RANGE

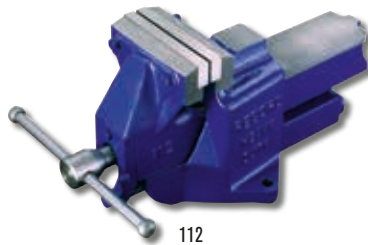
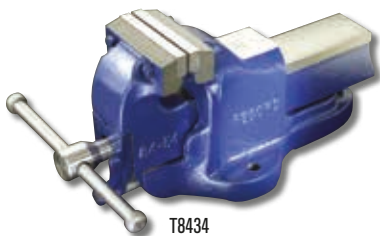


ENGINEERS' AND FITTERS' VICES

Designed for heavy-duty work, these vices are made from S.G. Ductile Iron with an integrated anvil for shaping and beating, together with a quick-release mechanism for rapid slide adjustment. The reinforced body, slide and large diameter main screw contribute to the working strength and resilience, and the vices withstand the most demanding work. Fitters' vices are similar in design to Engineers' vices however are made of close grained gray iron instead of S.G. Ductile Iron. They also have a full line of replacement parts available.



1. **S.G. DUCTILE IRON**
Material with high-impact resistance guarantees strength and long life (Engineers' vices only)
2. **SAFETY STOP**
Prevents the slide from being separated from the body
3. **FULLY MACHINED**
On all load-bearing surfaces for smooth and trouble-free operation
4. **FUSED STEEL HANDLE**
Will bend before the vice can be overstressed
5. **QUICK-RELEASE MECHANISM**
Disengages the main screw, allowing rapid movement of the slide
6. **UNBREAKABLE S.G. IRON NUT**
Can be replaced when worn
7. **INTEGRATED ANVIL**
For efficient striking of workpieces when required



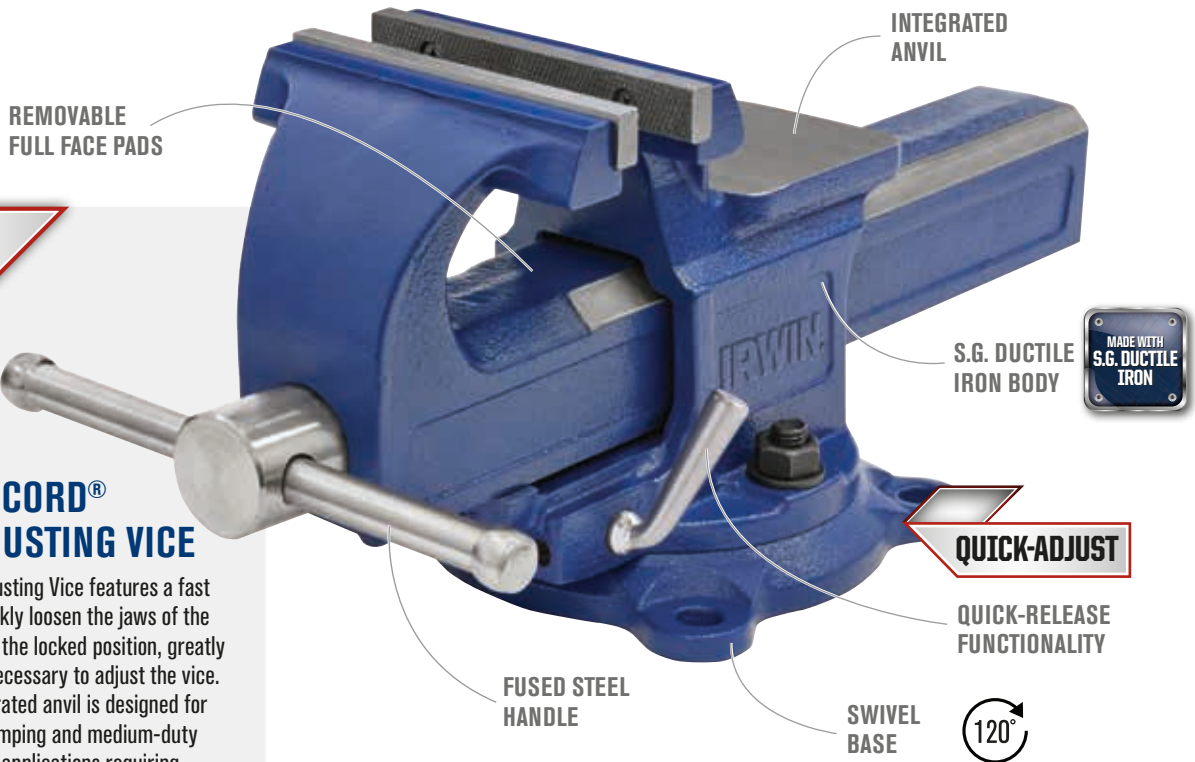
ITEM NO.	DESCRIPTION	EAN	MASTER PACK	SHelf PACK	LP Ex VAT £ / ITEM	RRP Inc VAT £ / ITEM	DISC CODE
T8434	Engineers Vice 4-1/2" / 115mm**	0734442019442	42	1	646.59	775.91	RI
T36	Engineers Vice 6" / 150mm** (Irregular Shape)	0734442019206	18	1	1,113.50	1,336.20	
112	Engineers Vice 6" / 150mm**	0734442019565	22	1	1,040.25	1,248.30	
114ZR	Engineers Vice 8" / 205mm**	0734442019688	22	1	1,434.91	1,721.89	
23ZR	Fitters Vice 4-1/2" / 115mm	0734442001089	28	1	480.24	576.29	
T25	Fitters Vice 6" / 150mm	0734442001201	22	1	636.66	763.99	

SPARE PARTS ALSO AVAILABLE
SEE PAGE 62

**S.G. Ductile Iron is strong and flexible with similar characteristics to steel and is virtually unbreakable. Heavy duty vices manufactured from this material are designed to take much more punishing workloads than normal vices.



QUICK-ADJUSTING VICE GENERAL PURPOSE / MEDIUM-DUTY



NEW

IRWIN® RECORD® QUICK-ADJUSTING VICE

The NEW Quick-Adjusting Vice features a fast release lever to quickly loosen the jaws of the vice and return it to the locked position, greatly reducing the time necessary to adjust the vice. This vice with integrated anvil is designed for general purpose clamping and medium-duty applications and for applications requiring frequent clamping and changing of multiple materials.



1. **QUICK-RELEASE FUNCTIONALITY**
Fast-release lever for quick adjustments to increase productivity
2. **S.G. DUCTILE IRON BODY**
Guaranteeing strength and long life
3. **SWIVEL BASE**
Three mounting points and a 120° rotation for more flexible positioning of workpieces

4. **FUSED STEEL HANDLE**
Will bend before the vice can be overstressed
5. **INTEGRATED ANVIL**
For hammering and beating workpieces
6. **SAFETY STOP**
Prevents slide separating from body



1978272

ITEM NO.	DESCRIPTION	EAN	MASTER PACK	SHELF PACK	LP Ex VAT \$ / ITEM	RRP Inc VAT £ / ITEM	DISC CODE
1978271	Quick-Adjusting Vice 4" / 100mm	5706919782710	1	1	120.95	145.14	RI
1978272	Quick-Adjusting Vice 5" / 125mm	5706919782727	1	1	187.78	225.34	RI

MECHANICS' VICE - HEAVY-DUTY RANGE

HARDENED
STEEL JAWS

FUSED STEEL
HANDLE

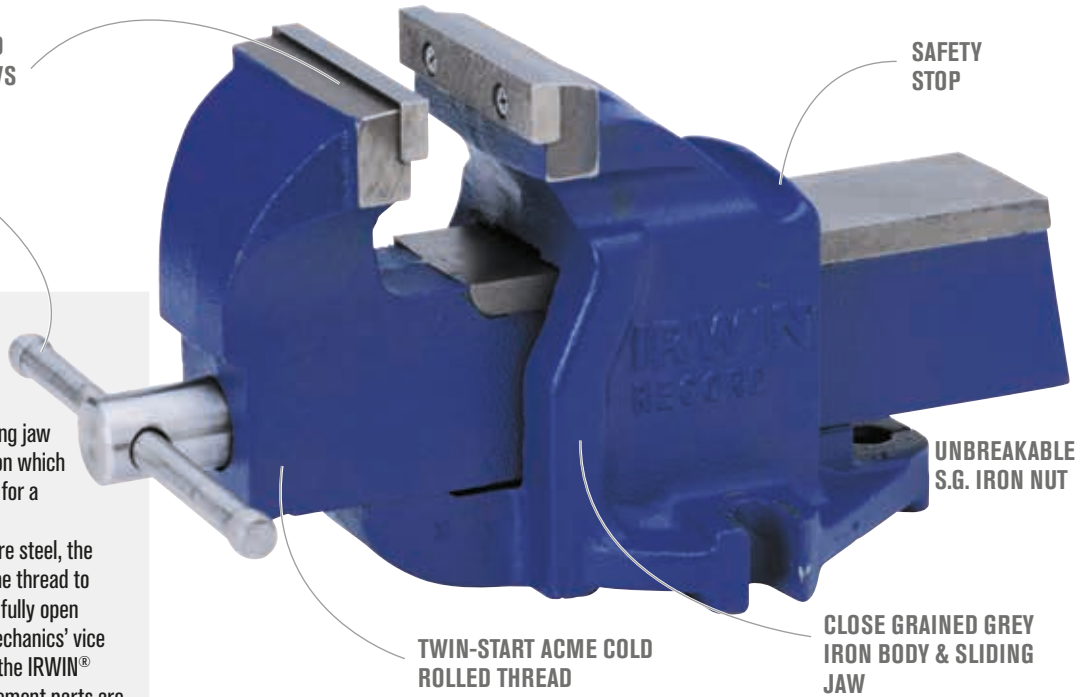
SAFETY
STOP

UNBREAKABLE
S.G. IRON NUT

IRWIN® RECORD® MECHANICS' VICE

Rigid and robust, the body and sliding jaw are cast from close grained grey iron which is machined on all friction surfaces for a smooth, reliable action.

The jaws, handle and main screw are steel, the latter having a two-start rolled acme thread to speed the jaws from fully closed to fully open with a minimum of winding. The Mechanics' vice is the most commonly used vice in the IRWIN® Record® range. A full line of replacement parts are available.



1. CLOSE GRAINED GREY IRON BODY & SLIDING JAW

Cast then machined on all friction surfaces for a smooth, reliable action

2. SAFETY STOP

Prevents the slide from being separated from the body

3. HARDENED STEEL JAWS

Extend the life of the jaws and are replaceable

4. UNBREAKABLE S.G. IRON NUT

Can be replaced when worn

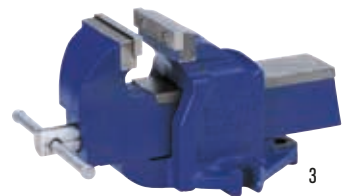
5. FUSED STEEL HANDLE

Will bend before the vice can be overstressed

6. TWIN-START ACME COLD ROLLED THREAD

For faster and smoother operation

ITEM NO.	DESCRIPTION	EAN	MASTER PACK	SHELF PACK	LP Ex VAT £ / ITEM	RRP Inc VAT £ / ITEM	DISC CODE
1ZR	No 1, Mechanics' Vice 3" / 75mm	0734442000129	144	1	62.11	74.53	RR
3	No 3, Mechanics' Vice 4" / 100mm	0734442000488	60	1	120.80	144.96	RI
4ZR	No 4, Mechanics' Vice 4-1/2" / 115mm	0734442000501	40	1	211.94	254.33	
5	No 5, Mechanics' Vice 5" / 125mm	0734442000723	40	1	245.49	294.59	
6	No 6, Mechanics' Vice 6" / 150mm	0734442000846	32	1	365.22	438.26	
8ZR	No 8, Mechanics' Vice 8" / 205mm	0734442000969	24	1	651.92	782.30	



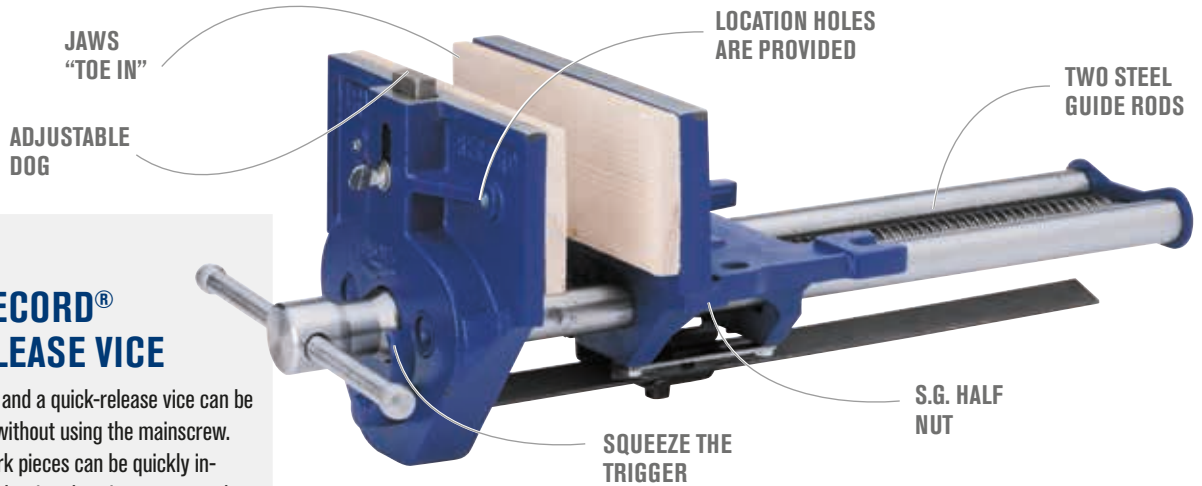
WORKSHOP VICE - MEDIUM DUTY

Strong and durable, the body and sliding jaw are cast from close-grained grey iron which is machined on all friction surfaces for a smooth reliable action. The jaws, handle and main screw are steel, the latter having a two-start rolled acme thread to speed the jaws from fully closed to fully open with a minimum of winding. This compact bench vice with anvil is specifically designed for medium-duty workshop applications for both the professional craftsman and the DIY enthusiast who expect a compact vice with superior clamping force, safety features and excellent finish.

ITEM NO.	DESCRIPTION	EAN	MASTER PACK	SHELF PACK	LP Ex VAT £ / ITEM	RRP Inc VAT £ / ITEM	DISC CODE
10507771	Workshop Vice with Anvil, 3-1/8" / 80mm	5706915077711	1	1	42.37	50.84	IR (HT)
T41211000	Workshop Vice with Anvil, 1 TON, 4" / 100mm	0734442000204	105	1	54.77	65.72	
T3TON3VS	Workshop Vice with Anvil, Swivel Base, 4" / 100mm	0734442000310	60	1	92.95	111.54	
4935505	Workshop Multi-Vice, with Anvil, Swivel Base, 5" / 125mm	0038548989990	40	1	158.06	189.67	
T6TON6VS	Workshop Vice with Anvil, Swivel Base, 6" / 150mm	0734442000860	40	1	197.57	237.08	
8ZR	No 8, Mechanics' Vice 8" / 205mm	0734442000969	24	1	651.92	782.30	



PROFESSIONAL QUICK-RELEASE WOODWORKING VICE



IRWIN® RECORD® QUICK-RELEASE VICE

Squeeze the trigger and a quick-release vice can be opened and closed without using the mainscrew. Large and small work pieces can be quickly interchanged, while releasing the trigger returns the mechanism to normal for fine adjustment. An ideal addition to the engineering workshop or tool room. For clamping and holding woodwork pieces.

1. TWO STEEL GUIDE RODS

To reduce wear and ensure a smooth parallel action

2. JAWS "TOE IN"

When pressure is applied they give an even clamping over the whole depth of the work-piece

3. ADJUSTABLE DOG

Used in conjunction with bench stops fitted into the bench top

4. LOCATION HOLES ARE PROVIDED

So you can fit your own choice of wooden cheeks to protect the work-piece

5. SQUEEZE THE TRIGGER

A quick release vice can be opened and closed without using the mainscrew. Large and small work-pieces can be quickly interchanged

5. S.G. HALF NUT

For longevity and durability replaceable when worn

ITEM NO.	DESCRIPTION	EAN	MASTER PACK	SHELF PACK	LP Ex VAT £ / ITEM	RRP Inc VAT £ / ITEM	DISC CODE
T52ED	Woodworking Vice - Quick-Release 7"/175mm	0734442030249	60	1	166.33	199.60	RR
T5212ED	Woodworking Vice - Quick-Release 9"/230mm	0734442030362	32	1	231.03	277.24	
T53ED	Woodworking Vice - Quick-Release 10-1/2"/265mm	0734442030010	24	1	246.43	295.72	

PLAIN SCREW VICE

Manufactured in three capacities, these full size workshop vices are designed for bench mounting. The cast grey iron body and front plate are precision machined to house two solid steel guide rods giving the vice a smooth, true parallel action free of side or cross movement.



ITEM NO.	DESCRIPTION	EAN	MASTER PACK	SHELF PACK	LP Ex VAT £ / ITEM	RRP Inc VAT £ / ITEM	DISC CODE
T52PD	Woodworking Vice - Plain Screw 7"/175mm	0734442047889	60	1	79.19	95.03	RR
T5212PD	Woodworking Vice - Plain Screw 9"/230mm	0734442047896	32	1	104.96	125.95	
T53PD	Woodworking Vice - Plain Screw 10-1/2"/265mm	0734442030133	24	1	116.57	138.88	

WOODCRAFT VICE

Lightweight vice for the young woodworker, or home handyman. Provides a robust product suitable for the professional who needs a compact vice for smaller work. Designed to be fitted under the work bench, in the normal way, so that the jaws are flush with the bench top. TV150B includes table clamp.



ITEM NO.	DESCRIPTION	EAN	MASTER PACK	SHELF PACK	LP Ex VAT £ / ITEM	RRP Inc VAT £ / ITEM	DISC CODE
TV149B	Woodcraft Vice 6"/150mm	0734442029656	-	1	31.99	38.39	RR
TV150B	Woodcraft Vice with Table Clamp 6"/150mm	0734442029779	-	1	33.87	40.64	
TV175B	Woodcraft Vice 7"/175mm	0734442029885	-	1	37.62	45.14	

TABLE VICE

This is an ideal portable vice for the amateur and model maker. The built-in clamp allows it to be easily and quickly attached to a bench, table or work surface. Pipe grips are incorporated below the parallel jaws. A useful anvil is also included on the rear of the body.

ITEM NO.	DESCRIPTION	EAN	MASTER PACK	SHELF PACK	LP Ex VAT £ / ITEM	RRP Inc VAT £ / ITEM	DISC CODE
TV75B	Table Vice 3" / 75mm	0734442001690	-	1	28.85	34.62	RR



TV75B

DRILL PRESS VICE

Quality and precision are the hallmarks of the IRWIN® Record® Drill Press Vice, an ideal addition to the engineering workshop or tool room. Designed for use with drill presses and pillar drills.

ITEM NO.	DESCRIPTION	EAN	MASTER PACK	SHELF PACK	LP Ex VAT £ / ITEM	RRP Inc VAT £ / ITEM	DISC CODE
T414	Drill Press Vice 4" / 100mm	0734442001560	-	1	161.02	193.22	RI



T414

SWIVEL BASES

360 degree swivel bases are used to rotate and lock the vice at the most convenient angle.

ITEM NO.	DESCRIPTION	EAN	MASTER PACK	SHELF PACK	LP Ex VAT £ / ITEM	RRP Inc VAT £ / ITEM	DISC CODE
T1SB	Swivel Base, (No. 1 Vice)	0734442002888	-	1	61.11	73.33	RI
T3SB	Swivel Base, (No. 3 Vice)	0734442003007	-	1	96.10	115.32	
T4SB	Swivel Base, (No. 4 & 5 Vice)	0734442003120	-	1	96.10	115.32	
T6SB	Swivel Base, (No. 6, 8, 25 & 36 Vices)	0734442003366	-	1	135.03	162.04	
T843423SB	Swivel Base, (No. T8434 & 23ZR Vices)	0734442019459	-	1	113.10	135.72	
10507772	Swivel Base, (No. 10507772)	5706915077728	-	1	13.04	15.65	



T1SB

FIBRE GRIPS

Designed for holding & protecting workpieces of copper, aluminium, brass and similar soft metals.

ITEM NO.	DESCRIPTION	EAN	MASTER PACK	SHELF PACK	LP Ex VAT £ / ITEM	RRP Inc VAT £ / ITEM	DISC CODE
FG3	Fibre Grips 3" / 75mm	0734442001928	60	6	13.20	15.84	RI
FG4	Fibre Grips 4" / 100mm	0734442002161	60	6	18.72	22.46	
FG412	Fibre Grips 4-1/2" / 115mm	0734442002406	60	6	20.12	24.14	
FG5	Fibre Grips 5" / 125mm	0734442002529	60	6	21.77	26.12	
FG6	Fibre Grips 6" / 150mm	0734442002765	60	6	23.71	28.45	



FG3

FG5

CHAIN PIPE VICES

The chain pipe vice generates a powerful grip due to its sturdy construction. The drop-forged, heat-treated steel jaws and high-tensile steel chain are mounted on a body cast from ductile iron that is guaranteed unbreakable. The flexible chain means the vice is compact and easy to store when not in use.

ITEM NO.	DESCRIPTION	EAN	MASTER PACK	SHELF PACK	LP Ex VAT £ / ITEM	RRP Inc VAT £ / ITEM	DISC CODE
T181C	Chain Pipe Vice 1/8" - 2" / 3 - 50mm	0734442143161	-	1	122.46	146.95	RI
T182C	Chain Pipe Vice 1/4" - 4" / 6 - 100mm	0734442143284	-	1	271.45	325.74	
T183C	Chain Pipe Vice 1/2" - 8" / 12 - 200mm	0734442143406	-	1	459.30	551.16	



T182C

HINGED PIPE VICES

The hinged pipe vice frame and base are cast from high-impact resistant S.G. ductile iron guaranteeing strength. The design is ideal for fast, repetitive work.

ITEM NO.	DESCRIPTION	EAN	MASTER PACK	SHELF PACK	LP Ex VAT £ / ITEM	RRP Inc VAT £ / ITEM	DISC CODE
T92C	Hinged Pipe Vice 1/8" - 2" / 3 - 50mm	0734442143529	-	1	184.00	220.80	RI
T9212C	Hinged Pipe Vice 1/8" - 2-1/2" / 3 - 60mm	0734442143642	-	1	240.40	288.48	
T9312C	Hinged Pipe Vice 1/8" - 3-1/2" / 3 - 90mm	0734442143765	-	1	357.21	428.65	
T96	Hinged Pipe Vice 1/8" - 6" / 3 - 150mm	0734442143888	-	1	858.08	1,029.70	



T9312C

TRIPOD STAND

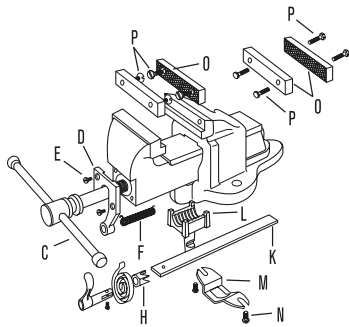
The durable fabricated steel frame, topped by a strong heavy-gauge mounting plate, is drilled to accept our range of chain and hinged pipe vices.

ITEM NO.	DESCRIPTION	EAN	MASTER PACK	SHELF PACK	LP Ex VAT £ / ITEM	RRP Inc VAT £ / ITEM	DISC CODE
TS10	Tripod Stand for Hinged Pipe Vice & Chain Pipe Vice (T182C, T92C, T9212C)	0734442142560	-	1	282.71	339.25	RI



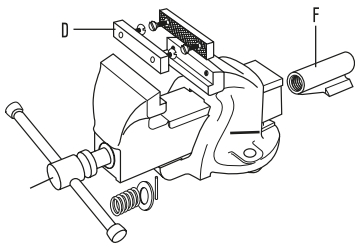
WORKHOLDING - SPARE PARTS

T23 - T25 FITTERS' / T36 - T8434 ENGINEERS' / T112 - T114 HD VICES



ITEM NO.	DESCRIPTION	EAN	MASTER PACK	SHELF PACK	LP Ex VAT £ / ITEM	RRP Inc VAT £ / ITEM	DISC CODE
T23C	Mainscrew with Handle (C), Nut (L), Nut Guide (M), & Screws (N)	0734442010920	-	1	176.17	211.40	IR (HT)
T25C	Mainscrew with Handle (C), Nut (L), Nut Guide (M), & Screws (N)	0734442012603	-	1	230.62	276.74	
T112C	Mainscrew with Handle (C), Nut (L), Nut Guide (M), & Screws (N)	0734442025207	-	1	246.62	295.94	
T114C	Mainscrew with Handle (C), Nut (L), Nut Guide (M), & Screws (N)	0734442025924	-	1	312.75	375.30	
T36C	Mainscrew with Handle (C), Nut (L), Nut Guide (M), & Screws (N)	0734442021841	-	1	213.97	256.76	
84C	Mainscrew with Handle (C), Nut (L), Nut Guide (M), & Screws (N)	0734442023647	-	1	252.56	303.07	
T23DK	Trigger Complete	0734442011408	-	1	68.01	81.61	
T25DK	Trigger Complete	0734442012962	-	1	81.32	97.58	
T112DK	Trigger Complete	0734442025801	-	1	82.46	98.95	
T114DK	Trigger Complete	0734442026402	-	1	125.30	150.36	
T36DK	Trigger Complete	0734442022329	-	1	79.37	95.24	
T84DK	Trigger Complete	0734442024002	-	1	88.20	105.84	
T23L	Half Nut (L), Guide (M) & Screws (N)	0734442011163	-	1	49.38	59.26	
T25L	Half Nut (L), Guide (M) & Screws (N)	0734442012849	-	1	54.95	65.94	
T112L	Half Nut (L), Guide (M) & Screws (N)	0734442025443	-	1	52.63	63.16	
T114L	Half Nut (L), Guide (M) & Screws (N)	0734442026167	-	1	88.56	106.27	
T36L	Half Nut (L), Guide (M) & Screws (N)	0734442022084	-	1	57.78	69.34	
T84L	Half Nut (L), Guide (M) & Screws (N)	0734442022688	-	1	47.84	57.41	
T230	Jaw Plates (pair) with Screws (P)	0734442011286	-	1	45.72	54.86	
T250	Jaw Plates (pair) with Screws (P)	0734442011521	-	1	56.72	68.06	
T1120	Jaw Plates (pair) with Screws (P)	0734442025566	-	1	70.72	84.86	
T1140	Jaw Plates (pair) with Screws (P)	0734442026280	-	1	128.26	153.91	
T360	Jaw Plates (pair) with Screws (P)	0734442022206	-	1	61.69	74.03	
T840	Jaw Plates (pair) with Screws (P)	0734442023883	-	1	69.38	83.26	

SPARE PARTS FOR NO.1 - NO. 8 MECHANICS' VICES



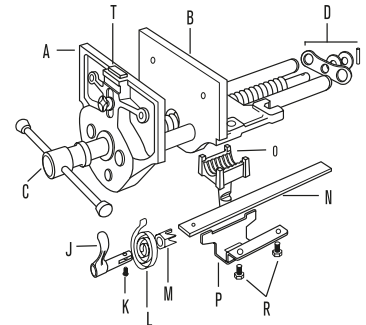
ITEM NO.	DESCRIPTION	EAN	MASTER PACK	SHELF PACK	LP Ex VAT £ / ITEM	RRP Inc VAT £ / ITEM	DISC CODE
T1C	Mainscrew with Handle, Nut, Pin, Spring Washer & Pin (C) & (F)	0734442004561	-	1	56.62	67.94	IR (HT)
T3C	Mainscrew with Handle, Nut, Pin, Spring Washer & Pin (C) & (F)	0734442006121	-	1	85.93	103.12	
T4C	Mainscrew with Handle, Nut, Pin, Spring Washer & Pin (C) & (F)	0734442006961	-	1	131.13	157.36	
T5C	Mainscrew with Handle, Nut, Pin, Spring Washer & Pin (C) & (F)	0734442007807	-	1	150.49	180.59	
T6C	Mainscrew with Handle, Nut, Pin, Spring Washer & Pin (C) & (F)	0734442008521	-	1	154.28	185.14	
T8C	Mainscrew with Handle, Nut, Pin, Spring Washer & Pin (C) & (F)	0734442009009	-	1	167.34	200.81	
T1D	Pair of Jaw Plates with Screws	0734442004684	-	1	13.49	16.19	
T3D	Pair of Jaw Plates with Screws	0734442006244	-	1	20.60	24.72	
T4D	Pair of Jaw Plates with Screws	0734442007081	-	1	36.73	44.08	
T5D	Pair of Jaw Plates with Screws	0734442007920	-	1	37.01	44.41	
T6D	Pair of Jaw Plates with Screws	0734442008644	-	1	52.06	62.47	
T8D	Pair of Jaw Plates with Screws	0734442009481	-	1	85.49	102.59	

SPARE PARTS FOR T400300 PIPE VICE

ITEM NO.	DESCRIPTION	EAN	MASTER PACK	SHELF PACK	LP Ex VAT £ / ITEM	RRP Inc VAT £ / ITEM	DISC CODE
T661053	50mm Hinged Pipe Vice for Stand Benders	0686182000788	-	1	£53.82	£64.58	IR (HT)

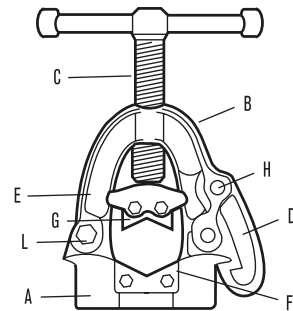
SPARE PARTS FOR T52 - T53 QUICK-RELEASE VICES

ITEM NO.	DESCRIPTION	EAN	MASTER PACK	SHELF PACK	LP Ex VAT £ / ITEM	RRP Inc VAT £ / ITEM	DISC CODE
T5212EDC	Main Screw with Handle & Washers (E), Pin (F), Nut (O)	0734442038764	-	1	170.89	205.07	IR (HT)
T52EDD	End Bracket with End Washers & Pin (F)	0734442037682	-	1	19.93	23.92	
T5212EDD	End Bracket with End Washers & Pin (F), also fits T53ED	0734442038887	-	1	23.40	28.08	
T52EDJN	Trigger Complete	0734442038405	-	1	34.19	41.03	
T5212EDJN	Trigger Complete (also fits T53ED)	0734442039488	-	1	36.96	44.35	
T52EDL	Trigger Spring & Nut (fits all sizes)	0734442038047	-	1	16.12	19.34	
T52EDO	Nut with Nut Guide & Screws	0734442038160	-	1	26.50	31.80	
T5212EDO	Nut with Nut Guide & Screws (also fits T53ED)	0734442039242	-	1	43.41	52.09	
T52EDT	Front Dog with Screws & Washers (fits all sizes)	0734442040927	-	1	16.12	19.34	



SPARE PARTS FOR T92C - T93-1/2C & T96 HINGED PIPE VICES

ITEM NO.	DESCRIPTION	EAN	MASTER PACK	SHELF PACK	LP Ex VAT £ / ITEM	RRP Inc VAT £ / ITEM	DISC CODE
T92CC	Main Screw with Handle	0734442160564	-	1	59.34	71.21	IR (HT)
T92CE	Jaw Clamp (Per Pair)	0734442160809	-	1	23.71	28.45	
T9312CE	Jaw Clamp (Per Pair)	0734442166320	-	1	46.00	55.20	
T92CF	Lower Jaws (Pair) with Bolts & Nuts	0734442160922	-	1	70.49	84.59	
T9312CF	Lower Jaws (Pair) with Bolts & Nuts	0734442165484	-	1	98.67	118.40	
T96F	Lower Jaws (Pair) with Bolts & Nuts	0734442168720	-	1	180.37	216.44	
T92CG	Upper Jaws with Bolts & Nuts	0734442162247	-	1	38.91	46.69	
T9312CG	Upper Jaws with Bolts & Nuts	0734442165606	-	1	53.79	64.55	
T96G	Upper Jaws with Bolts & Nuts	0734442168843	-	1	94.31	113.17	



SPARE PARTS FOR T181C, T182C, T183C CHAIN PATTERN VICES

ITEM NO.	DESCRIPTION	EAN	MASTER PACK	SHELF PACK	LP Ex VAT £ / ITEM	RRP Inc VAT £ / ITEM	DISC CODE
T183CA	Base	0734442157328	-	1	217.52	261.02	IR (HT)
T182CB	Jaw Unit with Bolt	0734442156963	-	1	153.53	184.24	
T183CB	Jaw Unit with Bolt	0734442157441	-	1	284.34	341.21	
T182CC	Chain with Screw	0734442157083	-	1	93.93	112.72	
T183CC	Chain with Screw	0734442159124	-	1	275.99	331.19	
T183CD	Handle with Nut	0734442157564	-	1	154.00	184.80	

