

IRWIN®



WORKHOLDING BROCHURE

IRWIN®

QUICK-GRIP®





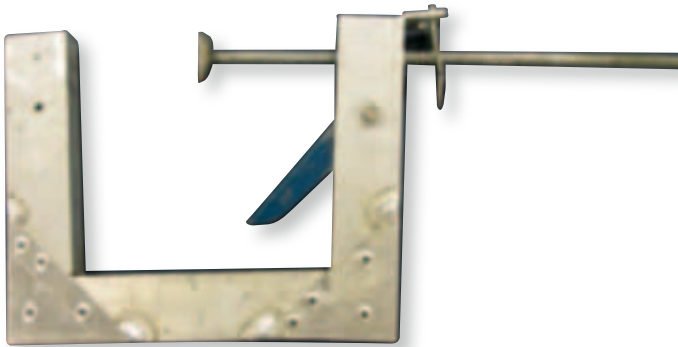
HISTORY

The Quick-Grip® Story:

In 1986 Joe Sorensen, an air boat builder in Nebraska USA, was looking for a better way to hold down his steel panels as the clamps he was using twisted the thin steel as he worked.

A year later, with a good idea for a new style of clamping, he came to American Tools and soon became an employee and working together, the concept for a pistol grip one-handed bar clamp was born. This revolutionary tool was quickly patented and brought to market in 1989 with a full line of clamps under the Quick-Grip® brand name. The line was later extended from the Original clamp to the Micro, Mini, Handi, Quick-Change, and more recently the XP clamp.

Since the launch, IRWIN® Quick-Grip® has become the world leader in one-handed bar clamps and is the industry standard which has changed the way tradesman do their jobs, greatly improving their ability and efficiency on the job.



MAXIMUM GRIPPING STRENGTH WITH ONE HAND



1. **FULL FACE PADS**
(Replaceable)
2. **LOCKABLE SWIVEL JAWS**
3. **UP TO TWO TIMES MORE CLAMPING FORCE**
than other one-handed bar clamps
4. **QUICK-CHANGE SCREW**
No tool required, easily converts clamp to spreader
5. **SUPPORTING FOOT**
(18", 24", 36" & 50")
6. **LOW-EXPLOSIVE RELEASE MECHANISM**
7. **FREE SLIDING I-BEAM BAR**

XP One-Handed Bar Clamp/Spreader

The clamp offers "Xtreme Pressure" which is up to two times greater than all of its competitors. Full face pads and a supporting foot have been added, plus lockable swivel jaws to ensure that both jaws are always parallel and pressure is evenly distributed when gluing.

Item No.	Description	Clamp Capacity	EAN	Master Pack	Shelf Pack
10505942	XP One-Handed Bar Clamp/Spreader, 6" / 150mm	6" / 150mm	5706915059427	-	5
10505943	XP One-Handed Bar Clamp/Spreader, 12" / 300mm	12" / 300mm	5706915059434	-	5
10505944	XP One-Handed Bar Clamp/Spreader, 18" / 450mm	18" / 450mm	5706915059441	-	5
10505945	XP One-Handed Bar Clamp/Spreader, 24" / 600mm	24" / 600mm	5706915059458	-	5
10505946	XP One-Handed Bar Clamp/Spreader, 36" / 900mm	36" / 900mm	5706915059465	-	4
10505947	XP One-Handed Bar Clamp/Spreader, 50" / 1250mm	50" / 1250mm	5706915059472	-	4
1826576	XP Replacement Pads, 2 per Pack	-	0038548998640	-	5



135KG CLAMPING PRESSURE



1. **LOCKABLE SWIVEL JAW**
2. **MULTI-POSITIONING JAW**
Allows clamping on uneven surfaces
3. **QUICK-CHANGE SCREW**
No tool required, easily converts clamp to a spreader
4. **QUICK-RELEASE TRIGGER**
5. **FREE SLIDING I-BEAM BAR**
6. **FULL FACE PADS**
(Replaceable)

**Quick
CHANGE**



Quick-Change Bar Clamp/Spreader

The original Quick-Change product has now been improved to provide the consumer with a greater clamping hold load (135kg), plus a new-to-the-market lockable swivel feature which enables uneven surfaces to be clamped.

Item No.	Description	Clamp Capacity	EAN	Master Pack	Shelf Pack
T506QCEL7	Quick-Change Bar Clamp, 6"/150mm	6" / 150mm	5706915000061	-	5
T512QCEL7	Quick-Change Bar Clamp, 12"/300mm	12" / 300mm	5706915000078	-	5
T518QCEL7	Quick-Change Bar Clamp, 18"/455mm	18" / 450mm	5706915000085	-	5
T524QCEL7	Quick-Change Bar Clamp, 24"/605mm	24" / 600mm	5706915000092	-	5
T536QCEL7	Quick-Change Bar Clamp, 36"/910mm	36" / 900mm	5706915000108	-	5
1826577	Quick-Change Replacement Pads, 4 per Pack	-	0038548998657	-	5



IRWIN® QUICK-GRIP® MINI BAR CLAMP



- 1. QUICK-RELEASE TRIGGER**
For fast and easy positioning
- 2. PISTOL GRIP DESIGN**
Enhance comfort and ease of use
- 3. REMOVABLE SOFT PADS**
(Replaceable)



Mini Bar Clamps

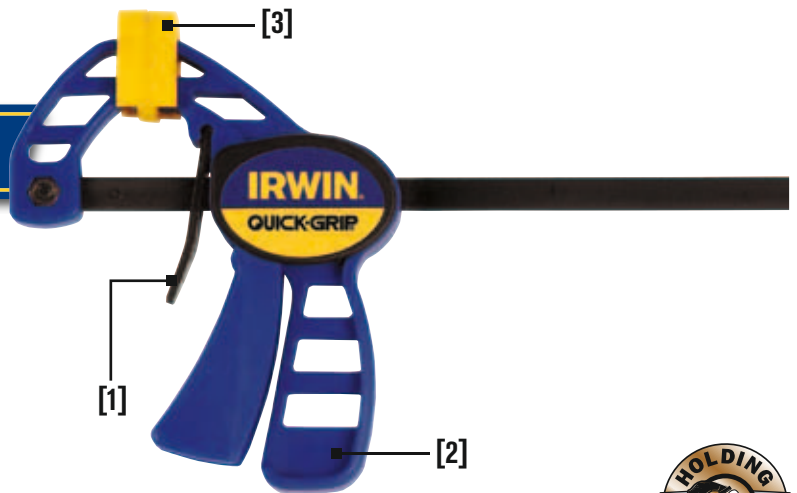
The IRWIN® Quick-Grip® Mini Bar Clamps are ideal for woodworking and all sorts of smaller projects.

Item No.	Description	Clamp Capacity	EAN	Master Pack	Shelf Pack
T546EL7	Mini Bar Clamp, 6" / 150mm	6" / 150mm	5715110790585	-	5
T5412EL7	Mini Bar Clamp, 12" / 300mm	12" / 300mm	5715110790622	-	5
T5462EL7	Mini Bar Clamp, 6" / 150mm, 2pk	6" / 150mm	5715110790592	-	5
T54122EL7	Mini Bar Clamp, 12" / 300mm, 2pk	12" / 300mm	5715110790639	-	5
1826578	Mini Replacement Pads, 4 per Pack	-	0038548998664	-	5

IRWIN® QUICK-GRIP® MICRO BAR CLAMP



- 1. QUICK- RELEASE TRIGGER**
For fast and easy positioning
- 2. PISTOL GRIP DESIGN**
Enhance comfort and ease of use
- 3. REMOVABLE SOFT PADS**

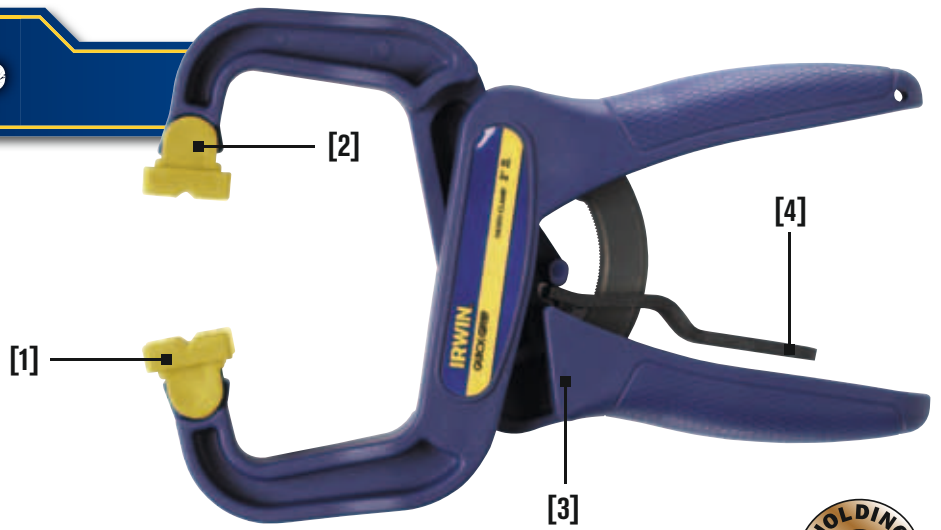


Micro Bar Clamps

Specially designed for home, craft and hobby use. Ideal for delicate work requiring light clamping pressure.

Item No.	Description	Clamp Capacity	EAN	Master Pack	Shelf Pack
T53006EL7	Micro Bar Clamp, 4" / 100mm, twin pack	4" / 100mm	5715110790547	-	10

IRWIN® QUICK-GRIP® HANDI CLAMP



- 1. NON-MARRING SWIVEL PADS**
(Replaceable)
- 2. MULTI-POSITIONING JAW**
Designed to clamp around odd shapes
- 3. TOUGH & DURABLE HIGH-TEC RESIN BODY**
- 4. RATCHETING SYSTEM**
For adjustable clamping pressure with quick-release trigger



Handi & Spring Clamps

Ratcheting mechanism provides variable clamping pressure. Quick-Release trigger allows for fast and easy positioning and release. The ideal clamp for jobs in workshop, house and garden. Specially designed jaws hold odd-shaped workpieces.

Item No.	Description	Clamp Capacity	EAN	Master Pack	Shelf Pack
T59100ECD	Handi Clamp, 1-1/4" / 38mm	1-1/4" / 38mm	0038548591001	-	20
T59200ECD	Handi Clamp, 2" / 50mm	2" / 50mm	0038548592008	-	12
T59400ECD	Handi Clamp, 4" / 100mm	4" / 100mm	0038548594002	-	10
1826579	Handi Clamp Replacement Pads, 6 per Pack	-	0038548998671	-	5
T58100EL7	Spring Clamp, 1" / 25mm	1" / 25mm	0038548581019	50	10
T58200EL7	Spring Clamp, 2" / 50mm	2" / 50mm	0038548582016	50	10
T58300EL7	Spring Clamp, 3" / 75mm	3" / 75mm	0038548583013	25	5

CLAMPING TOOLS APPLICATION GUIDE

Clamps & Specs	ONE-HANDED BAR CLAMPS				HANDI / SPRING CLAMPS	
	Micro Bar Clamp	Mini Bar Clamp	Quick-Change	XP	Handi-Clamp	Spring Clamp
Holding Force:	18 kg	70 kg	135 kg	250 kg	20 - 40 kg	15 - 30 kg
Clamp Capacity:	100 mm	150 - 300 mm	150 - 900 mm	150 - 1200 mm	30 - 100 mm	30 - 75 mm
Throat Depth:	30 mm	73 mm	90 mm	95 mm	38 - 100 mm	30 - 75 mm
Crafts/light-duty clamping	●	●	◐		◐	○
Temporary hold-down quick clamping	●	●	●	◐	◐	○
Flat panels/Solid edge wood glue-up/Deep-reach clamping				◐		
Irregular shape/Multiple surface/Corner joining			◐	◐		
Installation/Demolition/Heavy-duty clamping			○	●		

○ = Good ◐ = Better ● = Best

IRWIN®

Record®





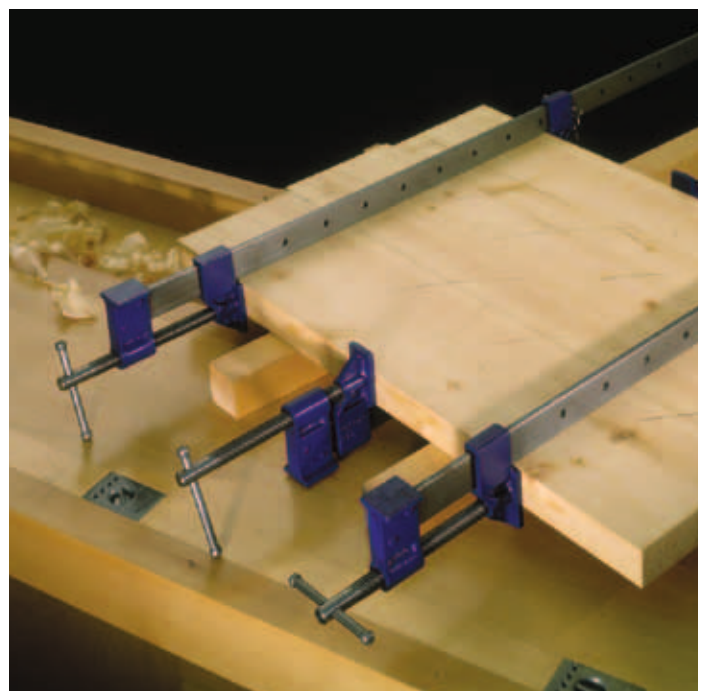
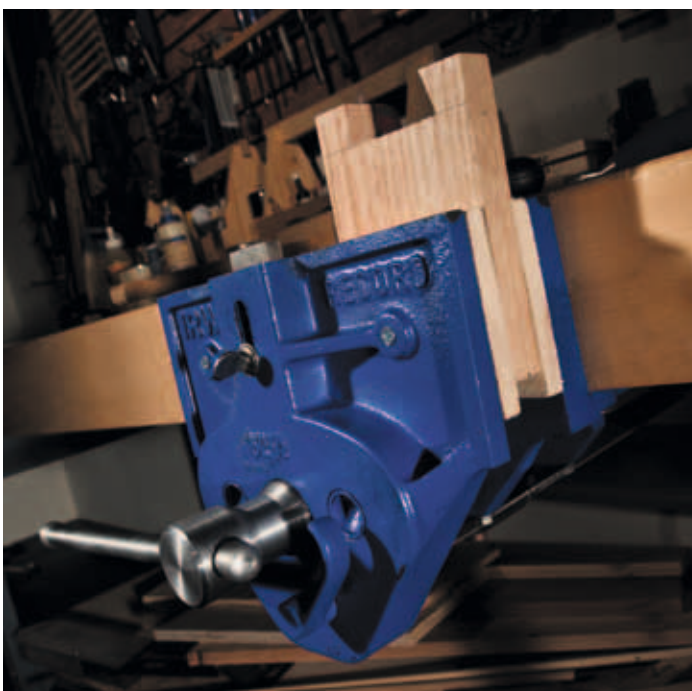
HISTORY

The Record® Story:

Originally established in 1898 in the South Yorkshire city of Sheffield in the UK. The Record Tools Factory was swiftly able to make a long lasting contribution to the worldwide reputation of the region for the manufacture of high quality steel and castings.

The Record® brand name was introduced in 1909 and by the 1920's the product range had expanded into Vices, Planes, Clamps and Pipe Wrenches enabling the business to grow rapidly in the UK and many overseas markets.

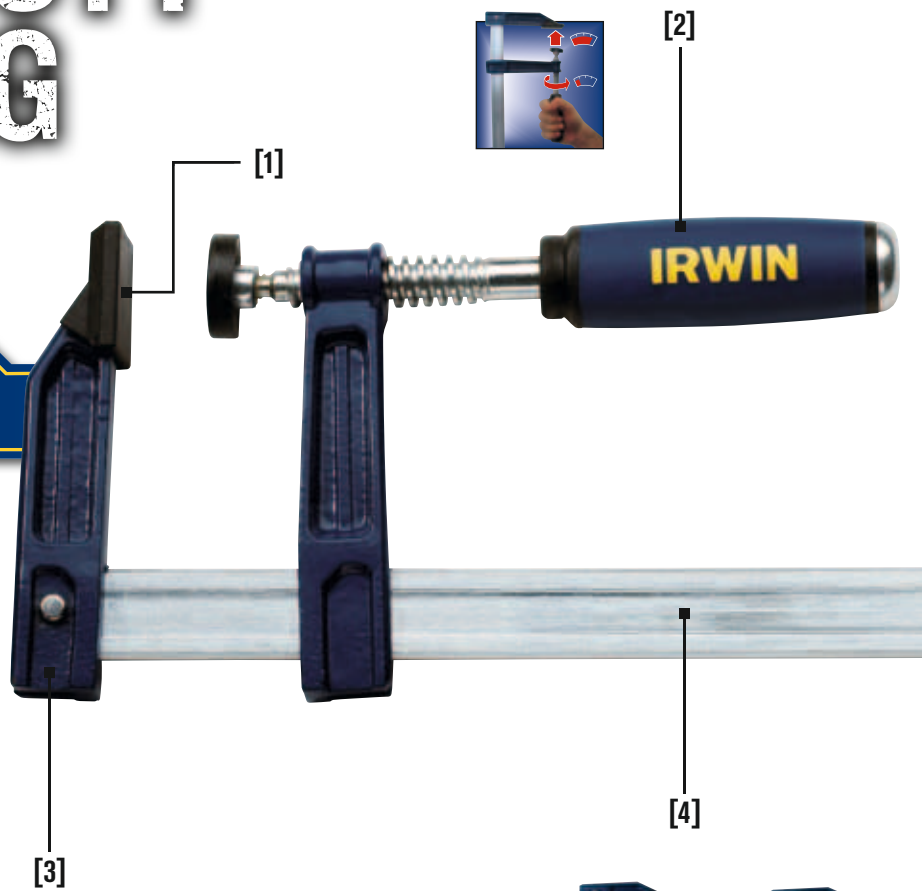
Today, IRWIN® Record® continues excelling by sticking to the traditional values set by its founders, producing tools that are highly valued amongst professional users for quality and durability that remains strong today.



HEAVY-DUTY CLAMPING



IRWIN® RECORD® PRO CLAMP



1. TPE PADS

Provide friction to work surface
Reduce marking of work piece

2. 3-COMPONENT HANDLE

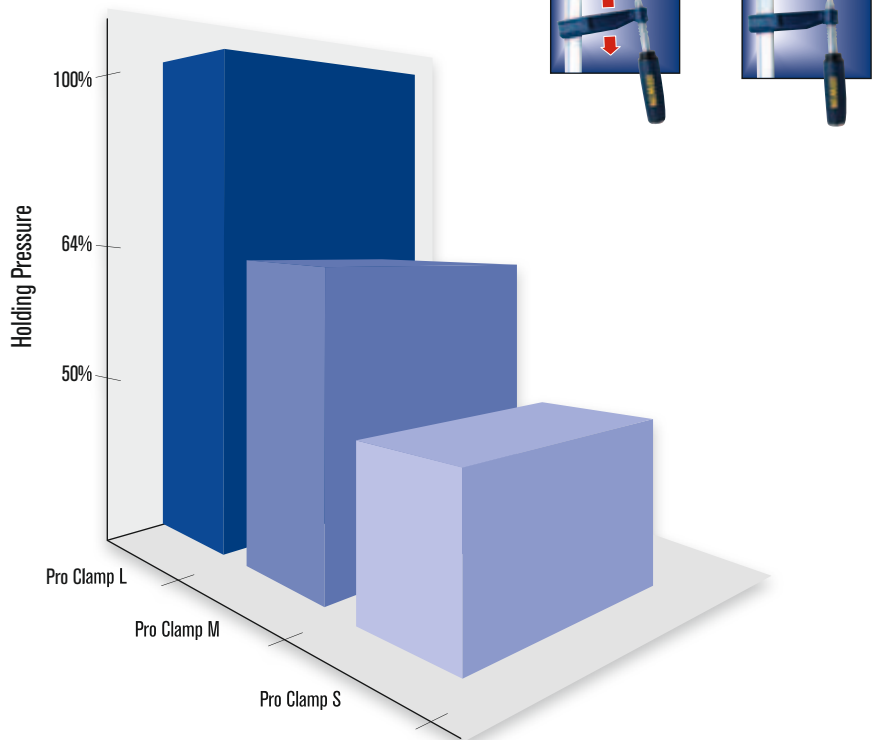
For higher torque transfer than wood,
plus added comfort

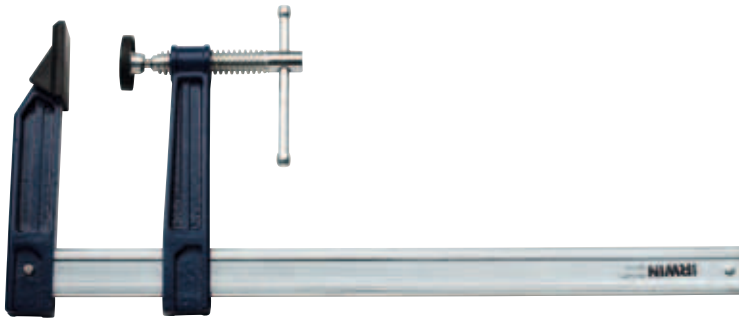
3. IMPROVED DESIGN

New improved Rib location to improve
strength at less weight

4. I-BEAM DESIGN

Provides higher mechanical strength and
less torsion. Zinc plated for rust
prevention





Pro Clamp L with Tommy Bar - Clamping Depth 140mm

Bar Dimension 35 x 9 mm

Item No.	Description	Clamping Capacity	EAN	Master Pack	Shelf Pack
10503574	Pro Clamp L, 400mm	400mm / 16"	5706915035742	-	3
10503575	Pro Clamp L, 600mm	600mm / 24"	5706915035759	-	3
10503576	Pro Clamp L, 800mm	800mm / 32"	5706915035766	-	3
10503577	Pro Clamp L, 1000mm	1000mm / 40"	5706915035773	-	3
10503578	Pro Clamp L, 1250mm	1250mm / 50"	5706915035780	-	3
10503579	Pro Clamp L, 1500mm	1500mm / 60"	5706915035797	-	3



Pro Clamp M - Clamping Depth 120mm

Bar Dimension 30 x 8 mm

Item No.	Description	Clamping Capacity	EAN	Master Pack	Shelf Pack
10503569	Pro Clamp M, 300mm	300mm / 12"	5706915035698	-	4
10503570	Pro Clamp M, 400mm	400mm / 16"	5706915035704	-	4
10503571	Pro Clamp M, 600mm	600mm / 24"	5706915035711	-	4
10503572	Pro Clamp M, 800mm	800mm / 32"	5706915035728	-	4
10503573	Pro Clamp M, 1000mm	1000mm / 40"	5706915035735	-	4

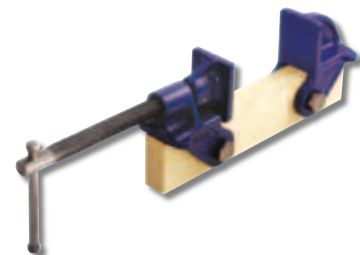
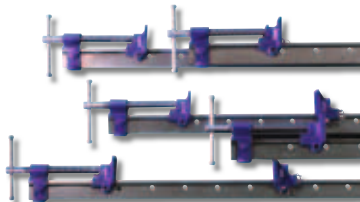


Pro Clamp S - Clamping Depth 80mm

Bar Dimension 25 x 6 mm

Item No.	Description	Clamping Capacity	EAN	Master Pack	Shelf Pack
10503564	Pro Clamp S, 200mm	200mm / 8"	5706915035643	-	4
10503565	Pro Clamp S, 300mm	300mm / 12"	5706915035650	-	4
10503566	Pro Clamp S, 400mm	400mm / 16"	5706915035667	-	4
10503567	Pro Clamp S, 600mm	600mm / 24"	5706915035674	-	4
10503568	Pro Clamp S, 800mm	800mm / 32"	5706915035681	-	4





T-Bar Clamps 136 Series

These clamps resist twisting and distortion under clamping pressures. Both the head and slide are guaranteed unbreakable. The slide is secured by a solid steel pin passing through one of the locating holes spaced along the steel bar. The steel mainscrew applies pressure quickly and smoothly through a fast acting, hard wearing rolled thread. Slides and heads are flat bottomed so that the clamp will stand without support.

Item No.	Description	Clamping Capacity	EAN	Master Pack	Shelf Pack
T1365	T-Bar Clamp, 1070mm	1070mm / 42"	0734442034087	-	1
T1366	T-Bar Clamp, 1200mm	1200mm / 48"	0734442034209	-	1
T1367	T-Bar Clamp, 1350mm	1350mm / 54"	0734442034322	-	1
T1369	T-Bar Clamp, 1680mm	1680mm / 66"	0734442034445	-	1
T13611	T-Bar Clamp, 1980mm	1980mm / 78"	0734442034568	-	1

Sash Clamps 135 Series

These are heavy duty clamps with a bar section of 32mm x 6mm (1-1/4" x 1/4"). The slide and head are guaranteed unbreakable.

Item No.	Description	Clamping Capacity	EAN	Master Pack	Shelf Pack
T1354	Sash Clamp, 915mm	915mm / 36"	0734442033608	-	1
T1355	Sash Clamp, 1070mm	1070mm / 42"	0734442033721	-	1
T1356	Sash Clamp, 1220mm	1220mm / 48"	0734442033844	-	1
T1359	Sash Clamp, 1680mm	1680mm / 66"	0734442033875	-	1

Clamp Heads

Low cost alternative to full size bar clamps. The grey cast iron head and slide with steel mainscrew can be fitted to a wooden batten 1"/25mm thick by 1-1/2"/38mm wide and any length.

Item No.	Description	EAN	Master Pack	Shelf Pack
TM130	Clamp Head, 25 x 38mm	0734442348085	-	6

Mitre Cutting Corner Clamps

Accurate mitre clamping is provided by IRWIN® Record® Corner Clamps. The clamps have two countersunk holes for fixing to a wooden block, which can then be secured between the jaws of a bench vice.

Thanks to the precision machined clamping surfaces and open design, these clamps are straight forward to operate and provide easy access for glueing and nailing.

Item No.	Description	Clamping Capacity	EAN	Master Pack	Shelf Pack
TM140	Mitre Cutting Corner Clamp, 50mm	50mm / 2"	0734442028444	24	1
TM141	Mitre Cutting Corner Clamp, 100mm	100mm / 4-1/4"	0734442028404	24	1

Flooring Clamp

Designed to close up floor boards prior to nailing, this compact and robust clamp has two spring loaded cams which straddle the joist, holding the clamp firmly in position. Turning the handle then moves the shoe forward, pushing the floorboard into position. For standard 75mm/3" joists.

Item No.	Description	Clamping Capacity	EAN	Master Pack	Shelf Pack
TMFC153	Flooring Clamp, 75mm	75mm / 3"	0734442034926	6	1

IRWIN®'S STRONGEST G-CLAMP

HEAVY-DUTY G-CLAMPS

1. FRAME

Drop-forged steel for strength and durability. Recommended for heavy-duty metal and fabrication work

2. SWIVEL SHOE

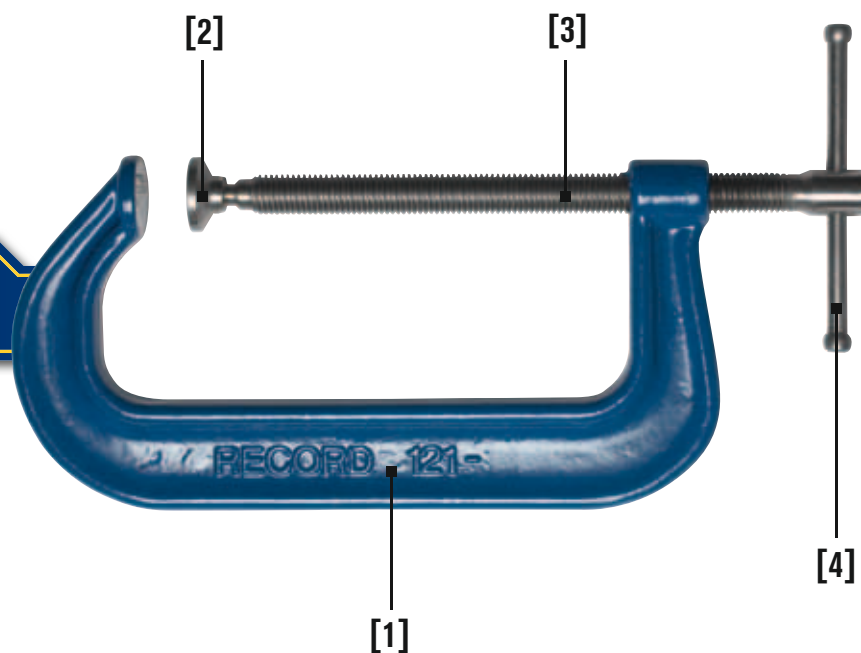
Swivel shoe helps clamping on uneven surfaces

3. ACME THREAD

Twin-start Acme cold rolled thread for faster operation

4. HANDLE

Fused steel handle will bend before the clamp can be overstressed



Heavy-Duty G-Clamps 121 Series

IRWIN® Record® Heavy-Duty G-Clamps are the strongest you can buy. Recommended particularly for metalworking and fabrication work where a very high clamping force is demanded.

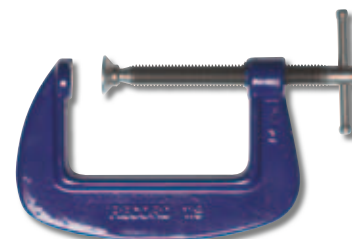
Item No.	Description	Clamping Capacity	EAN	Master Pack	Shelf Pack
T1213	Heavy Duty G-Clamp, 3" / 75mm	75mm / 3"	0734442031802	24	4
T1214	Heavy Duty G-Clamp, 4" / 100mm	100mm / 4"	0734442031925	24	4
T1216	Heavy Duty G-Clamp, 6" / 150mm	150mm / 6"	0734442032045	12	1
T1218	Heavy Duty G-Clamp, 8" / 200mm	200mm / 8"	0734442032168	12	1
T12110	Heavy Duty G-Clamp, 10" / 250mm	250mm / 10"	0734442032281	6	1
T12112	Heavy Duty G-Clamp, 12" / 300mm	300mm / 12"	0734442032403	6	1

HEAVY-DUTY 121 SERIES	
CAPACITY	PROOF LOAD
75mm / 3"	2700 kg
100mm / 4"	3200 kg
150mm / 6"	4000 kg
200mm / 8"	5770 kg
250mm / 10"	6200 kg
300mm / 12"	6800 kg

Medium-Duty G-Clamps 119 Series

IRWIN® Record® medium duty clamps have a thin frame for getting into tight corners and confined spaces, yet are very strong and rigid.

Item No.	Description	Clamping Capacity	EAN	Master Pack	Shelf Pack
T1192	Medium-Duty G-Clamp 2" / 50mm	50mm / 2"	0734442030485	-	6
T1193	Medium-Duty G-Clamp 3" / 75mm	75mm / 3"	0734442030720	-	6
T1194	Medium-Duty G-Clamp 4" / 100mm	100mm / 4"	0734442000600	-	6
T1196	Medium-Duty G-Clamp 6" / 150mm	150mm / 6"	0734442041337	-	6
T1224	Deep Throat G-Clamp 4" / 100mm	100mm / 4"	0734442030843	40	4



General Purpose G-Clamps 120 Series

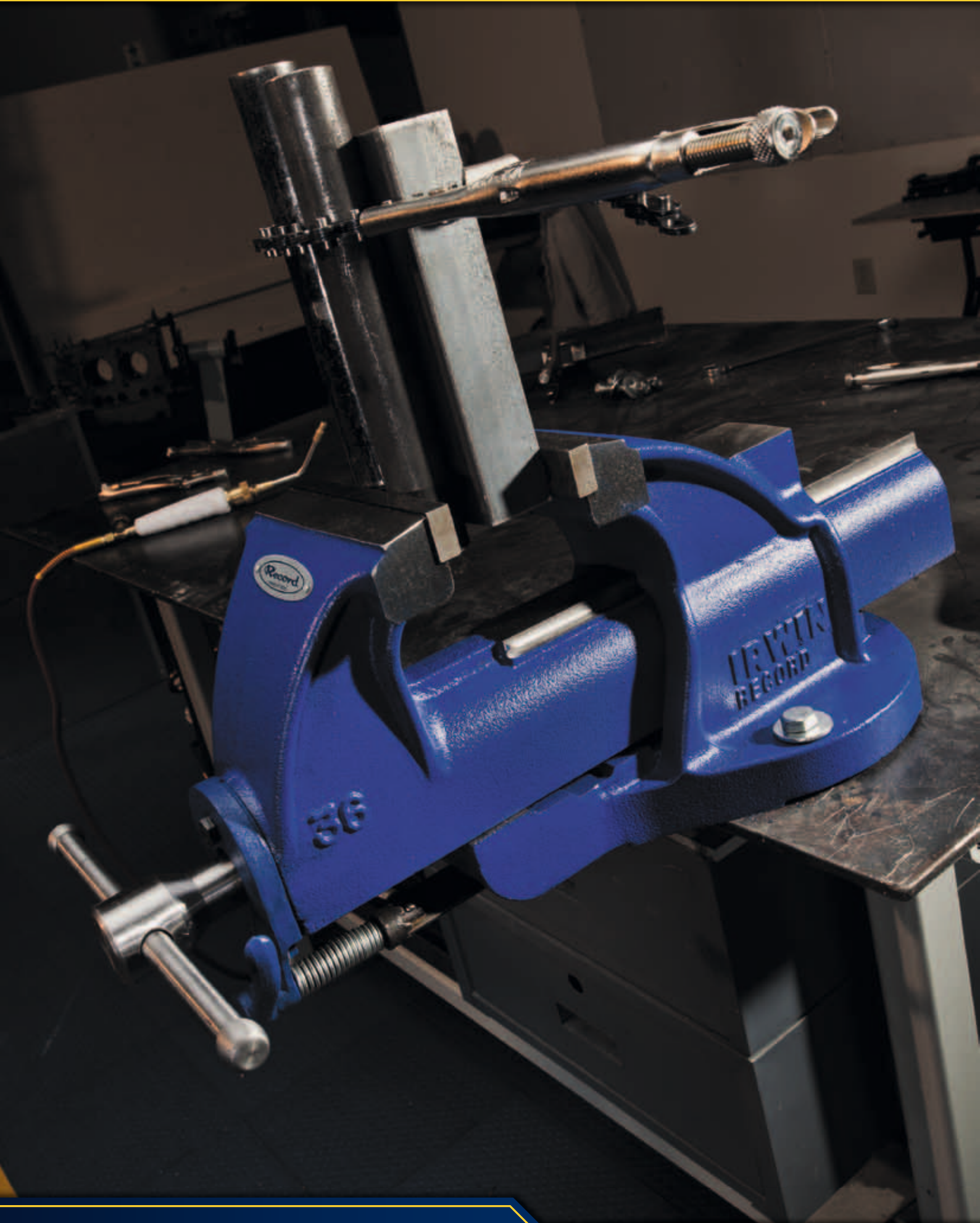
Ideal for metal and woodworking applications, the IRWIN® Record® 120 is the most popular and widely used of G-Clamps.

Item No.	Description	Clamping Capacity	EAN	Master Pack	Shelf Pack
T1203	General Purpose G-Clamp, 3" / 75mm	75mm / 3"	0734442031086	72	4
T1204	General Purpose G-Clamp, 4" / 100mm	100mm / 4"	0734442031208	72	4
T1206	General Purpose G-Clamp, 6" / 150mm	150mm / 6"	0734442031321	60	4
T1208	General Purpose G-Clamp, 8" / 200mm	200mm / 8"	0734442031444	24	1
T12010	General Purpose G-Clamp, 10" / 250mm	250mm / 10"	0734442031567	24	1
T12012	General Purpose G-Clamp, 12" / 300mm	300mm / 12"	0734442031680	24	1



IRWIN®

Record®



ENGINEERS' VICE - LIFETIME VICE RANGE

Designed for heavy-duty work, these vices are made from S.G. Ductile Iron with an integral anvil for shaping and beating, together with a quick-release mechanism for rapid slide adjustment. The reinforced body and slide, large diameter main screw allow these vices with the working strength and resilience to withstand the most demanding work. Fitters' vices are similar in design to Engineers' however made of close-grained grey iron instead of S.G. Ductile Iron.

* S.G. Ductile Iron is strong and flexible with similar characteristics to steel and is virtually unbreakable.

Heavy duty vices manufactured from this material are designed to take much more punishing workloads than normal vices.

ENGINEERS' AND FITTERS' VICES

1. IRWIN® ENGINEERS' VICES

are made from S.G. Ductile Iron with high-impact resistance, guaranteeing strength and long life

2. SAFETY STOP

prevents the slide from being separated from the body

3. FULLY MACHINED

on all load-bearing surfaces for smooth and troublefree operation

4. FUSED STEEL HANDLE

will bend before the vice can be overstressed

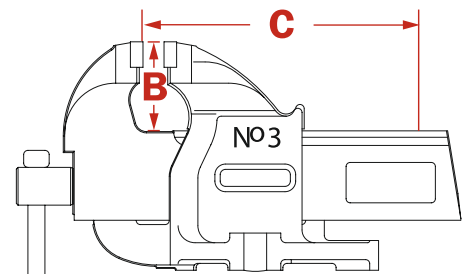
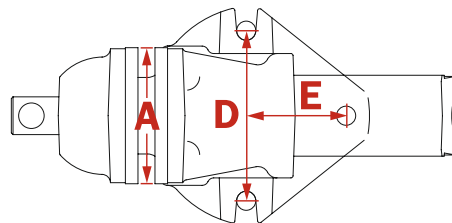
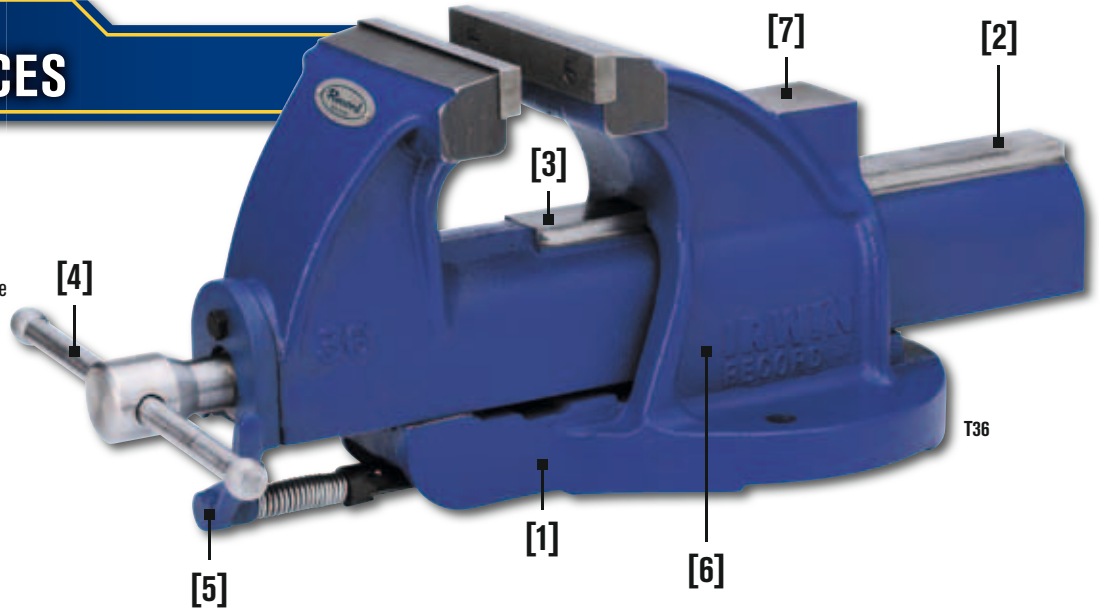
5. QUICK-RELEASE MECHANISM

disengages the main screw, allowing rapid movement of the slide

6. UNBREAKABLE SG IRON NUT

can be replaced when worn

7. INTEGRAL ANVIL



Item No.	Description	Weight (kg)	A (mm)	B (mm)	C (mm)	D (mm)	E (mm)	F (kg)	EAN	Shelf Pack
T8434	Engineers' Vice 4-1/2" / 115mm*	17	115	80	150	143	194	2000	0734442019442	1
T36	Engineers' Vice 6" / 150mm (Irregular Shape)*	29	150	100	190	165	121	2000	0734442019206	1
112	Engineers' Vice 6" / 150mm*	33	150	95	185	192	221	2500	0734442019565	1
114ZR	Engineers' Vice 8" / 205mm*	39	205	115	235	203	280	2500	0734442019688	1
23ZR	Fitters' Vice 4-1/2" / 115mm	28	110	85	165	143	213	2000	0734442001089	1
T25	Fitters' Vice 6" / 150mm	41	150	115	210	165	273	2500	0734442001209	1

Weight

A. Jaw width.

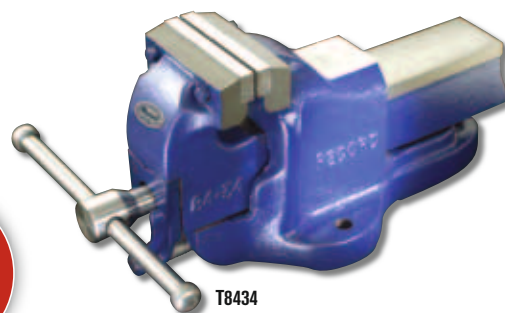
B. Depth from top of jaw to top of slide.

C. Max. jaw opening.

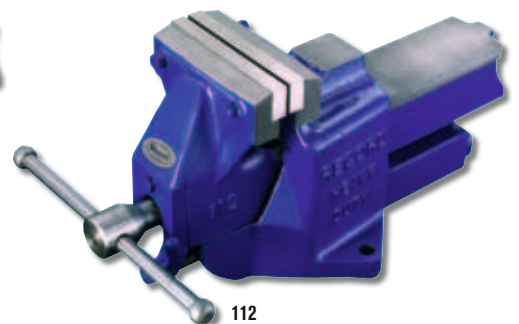
D. Distance between centres of front fixing holes.

E. Distance from mid-point between front of fixing hole centres to centre of rear fixing hole.

F. Average clamping force



T8434



112

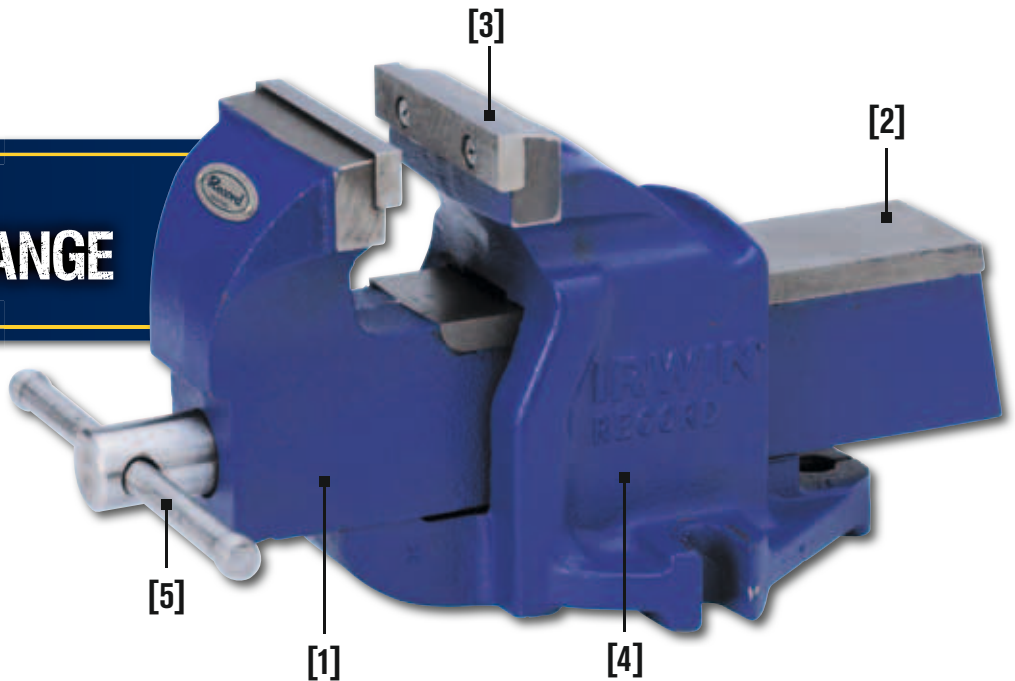
SPARE PARTS ALSO AVAILABLE
SEE FULL LINE CATALOGUE

MECHANICS' VICE - HEAVY DUTY RANGE

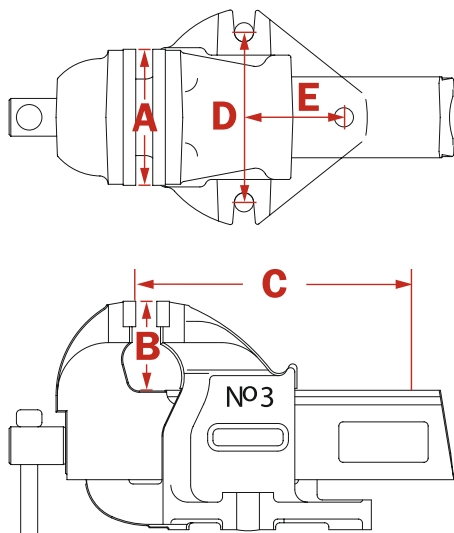
Rigid and robust, the body and sliding jaw are cast from close grained grey iron which is machined on all friction surfaces for a smooth reliable action. The jaws, handle and main screw are steel, the latter having a two-start rolled acme thread to speed the jaws from fully closed to fully open with a minimum of winding. The most commonly used vice in the IRWIN® range.

MECHANICS' VICE HEAVY-DUTY RANGE

- 1. BODY AND SLIDING JAW ARE CAST**
from close-grained grey iron which is machined on all friction surfaces for a smooth reliable action.
- 2. SAFETY STOP**
prevents the slide from being separated from the body.
- 3. REPLACEABLE HARDENED STEEL JAWS**
- 4. UNBREAKABLE SG IRON NUT**
can be replaced when worn.
- 5. FUSED STEEL HANDLE**
will bend before the vice can be overstressed.



SPARE PARTS ALSO AVAILABLE
SEE FULL LINE CATALOGUE



Item No.	Description	(kg)	A (mm)	B (mm)	C (mm)	D (mm)	E (mm)	F (kg)	EAN	Shelf Pack
1ZR	No 1, Mechanics' Vice 3" / 75mm	5.4	76	48	95	89	62	1000	0734442000129	1
3	No 3, Mechanics' Vice 4" / 100mm	15	102	70	120	129	75	1500	0734442000488	1
4ZR	No 4, Mechanics' Vice 4-1/2" / 115mm	19	114	75	140	137	81	2000	0734442000501	1
5	No 5, Mechanics' Vice 5" / 125mm	24	127	83	165	140	91	2500	0734442000723	1
6	No 6, Mechanics' Vice 6" / 150mm	32	152	89	205	165	118	2500	0734442000846	1
8ZR	No 8, Mechanics' Vice 8" / 205mm	38	203	102	235	165	121	2500	0734442000969	1

WORKSHOP VICE - MEDIUM DUTY RANGE

Strong and durable, the body and sliding jaw are cast from close grained grey iron which is machined on all friction surfaces for a smooth reliable action. The jaws, handle and main screw are steel, the latter having a two-start rolled acme thread to speed the jaws from fully closed to fully open with a minimum of winding. This compact Bench Vice with anvil is specifically designed for medium-duty workshop applications for both, the professional craftsman and the DIY enthusiast who expect a compact vice with superior clamping force, safety features and excellent finish.

WORKSHOP VICE MEDIUM DUTY

1. INTEGRAL ANVIL

2. MACHINED

Fully machined on all load bearing surfaces for smooth and trouble free operation.

3. SAFETY STOP

Safety stop prevents the slide from being separated from the body.

4. CAST IRON

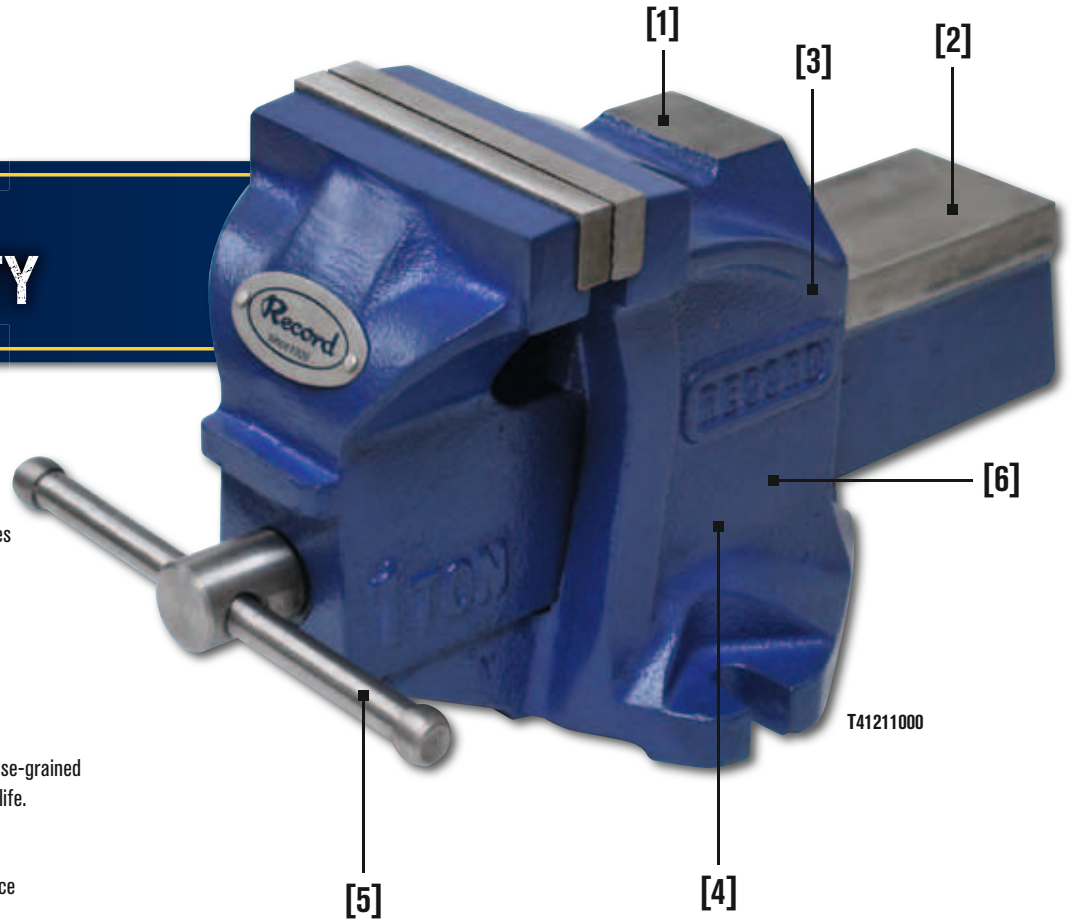
IRWIN® Workshop vices are cast from close-grained grey iron guaranteeing strength and long life.

5. FUSED HANDLE

Fused steel handle will bend before the vice can be overstressed.

6. INTERNAL SG NUT

Unbreakable SG iron nut can be replaced when worn.

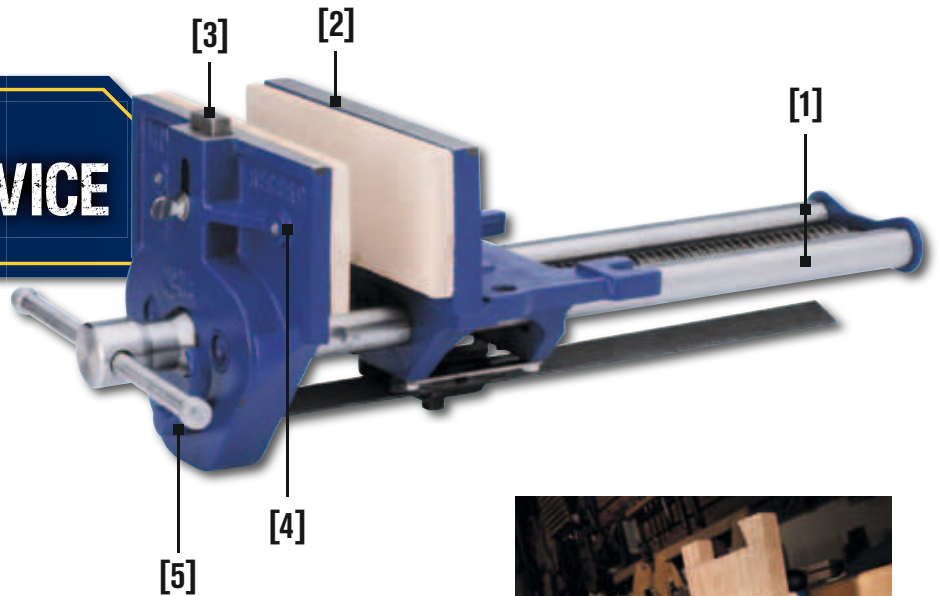


Item No.	Description	(kg)	A (mm)	B (mm)	C (mm)	D (mm)	E (mm)	F (kg)	EAN	Shelf Pack
10507771	Workshop Vice with Anvil, 3-1/8" / 80mm	3.9	100	50	80	90	45	1000	5706915077711	1
T41211000	Workshop Vice with Anvil, 1 TON, 4" / 100mm	7.6	102	60	102	115	65	1000	0734442000204	1
T3TON3VS	Workshop Vice with Anvil, Swivel Base, 4" / 100mm	15.75	102	70	120	165	143	1000	0734442000310	1
4935505	Workshop Multi-Vice, with Anvil, Swivel Base, 5" / 125mm	14.85	125	70	125	122	122	1500	0038548989990	1
T6TON6VS	Workshop Vice with Anvil, Swivel Base, 6" / 150mm	22.25	152	75	145	203	176	2000	0734442000860	1

QUICK-RELEASE WOODWORKING VICE

Squeeze the trigger and a quick release vice can be opened and closed without using the mainscrew. Large and small work pieces can be quickly interchanged, while releasing the trigger returns the mechanism to normal for fine adjustment. An ideal addition to the engineering workshop or tool room. For clamping and holding wood work pieces.

QUICK-RELEASE WOODWORKING VICE



1. TWO STEEL GUIDE RODS

to reduce wear and ensure a smooth parallel action.

2. JAWS "TOE IN"

so that when pressure is applied they give an even clamping over the whole depth of the work piece.

3. ADJUSTABLE DOG

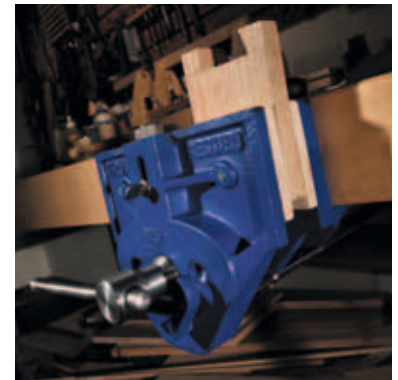
used in conjunction with bench stops fitted into the bench top.


4. LOCATION HOLES ARE PROVIDED

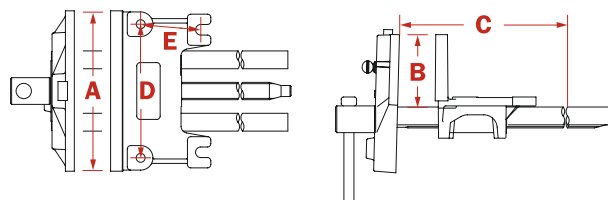
so you can fit your own choice of wooden cheeks to protect the work piece.

5. SQUEEZE THE TRIGGER

and a quick release vice can be opened and closed without using the mainscrew. Large and small work pieces can be quickly interchanged.



-  Weight
- A. Jaw width.
- B. Depth from top of jaw to top of slide rods
- C. Max. jaw opening.
- D. Distance between centres of front fixing holes.
- E. Distance from centre of front fixing hole to centre of rear fixing slot
- F. Average clamping force



SPARE PARTS ALSO AVAILABLE
SEE FULL LINE CATALOGUE

Professional Quick-Release Vice - Heavy Duty



Item No.	Description	(kg)	A (mm)	B (mm)	C (mm)	D (mm)	E (mm)	F (kg)	EAN	Shelf Pack
T52ED	Woodworking Vice, 175mm	9.5	175	75	205	150	65	1000	0734442030249	1
T5212ED	Woodworking Vice, 230mm	16.6	230	100	330	190	86	1000	0734442030362	1
T53ED	Woodworking Vice, 265mm	17.5	265	100	380	190	86	1000	0734442030010	1

Plain Screw Vice - Heavy Duty

Manufactured in three capacities, these full size workshop vices are designed for bench mounting.

The cast grey iron body and front plate are precision machined to house two solid steel guide rods giving the vice a smooth, true parallel action free of side or cross movement.



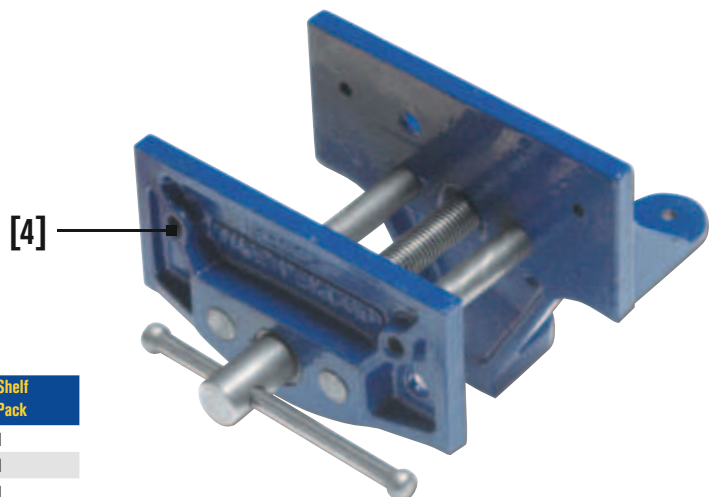
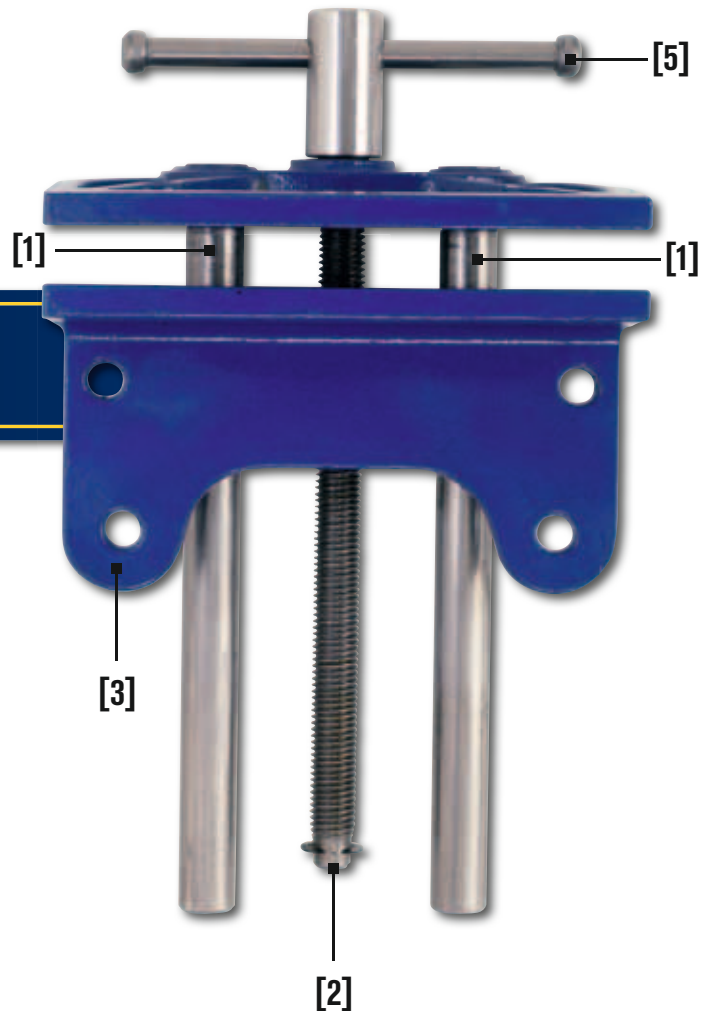
Item No.	Description	(kg)	A (mm)	B (mm)	C (mm)	D (mm)	E (mm)	F (kg)	EAN	Shelf Pack
T52PD	Woodworking Vice, 175mm	9.1	175	75	205	150	65	1000	0734442047889	1
T5212PD	Woodworking Vice, 230mm	16.3	230	100	330	190	86	1000	0734442047896	1
T53PD	Woodworking Vice, 265mm	17.1	265	100	380	190	86	1000	0734442030133	1

WOODCRAFT VICE - MEDIUM DUTY

Lightweight vice for the young woodworker, or home handyman. Provides a robust product suitable for the professional who needs a compact vice for smaller work. Designed to be fitted under the work bench, in the normal way, so that the jaws are flush with the bench top. TV150B includes table clamp.

WOODCRAFT VICE MEDIUM DUTY

1. **ACCURATE STEEL GUIDE RODS**
reduce wear and provide a smooth adjustment.
2. **STEEL MAIN SCREW WITH TWO START ACME THREAD**
for smooth adjustment.
3. **BODY AND FRONT PLATE CAST**
from grey iron.
4. **LOCATION HOLES ARE PROVIDED**
so you can fit your own choice of wooden cheeks to protect the work piece.
5. **FUSED STEEL HANDLE**
will bend before the vice can be overstressed.



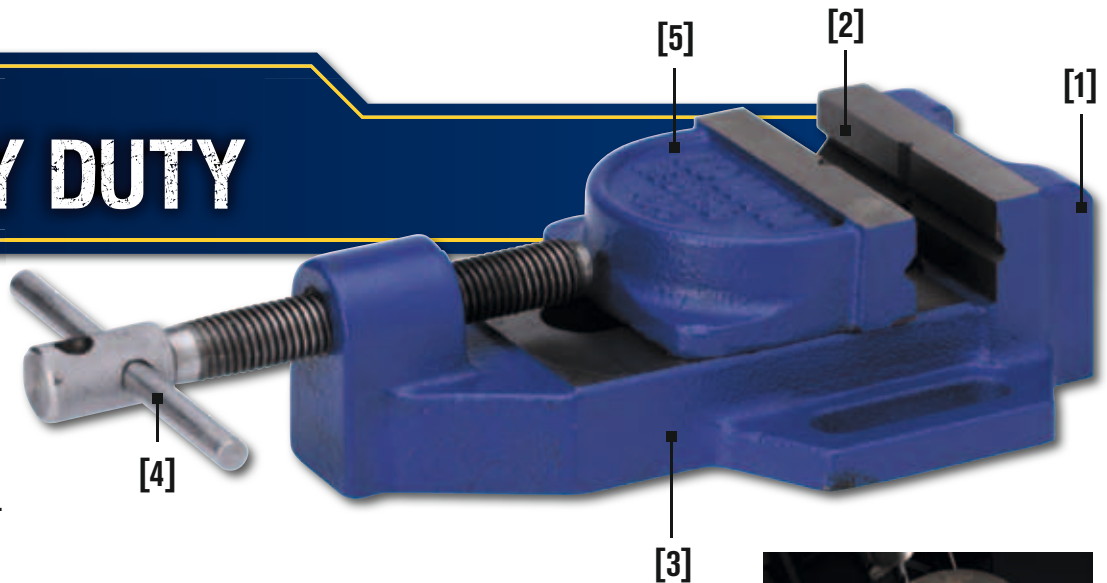
Item No.	Description	EAN	Shelf Pack
TV149B	Woodcraft Vice, 6" / 150mm	0734442029779	1
TV150B	Woodcraft Vice with Table Clamp, 6" / 150mm	0734442029885	1
TV175B	Woodcraft Vice, 7" / 175mm	0734442029779	1

DRILL PRESS VICE - HEAVY DUTY

Quality and precision are the hallmarks of these IRWIN® Record® Drill Press Vices, an ideal addition to the engineering workshop or tool room. Designed for use with drill presses and pillar drills.

DRILL PRESS VICE HEAVY DUTY

1. **PRECISION MACHINED BASE AND END FACE**
for stable horizontal or vertical mounting.
2. **HORIZONTAL AND VERTICAL "V" GROOVED JAWS**
for round section work.
3. **HIGH QUALITY CAST BODY AND SLIDING JAW**
of guaranteed strength.
4. **CROSS DRILLED HANDLE WITH TOMMY BAR**
for extra leverage.
5. **SWIVEL JAW**
for any shape of work piece.



Item No.	Description	EAN	Shelf Pack
T414	Drill Press Vice 4" (100mm)	0734442001560	1

Chain Pipe Vice - Heavy Duty

The chain pipe vice generates a powerful grip due to its sturdy construction. The drop forged, heat-treated steel jaws and high-tensile steel chain are mounted on a body cast from ductile iron that is guaranteed unbreakable. The flexible chain means the vice is compact and easy to store when not in use.

Item No.	Description	EAN	Shelf Pack
T181C	Chain Pipe Vice from 1/8" - 2" (3 - 50mm)	0734442143161	1
T182C	Chain Pipe Vice from 1/4" - 4" (6 - 100mm)	0734442143284	1
T183C	Chain Pipe Vice from 1/2" - 8" (12 - 200mm)	0734442143406	1
TTS10	Tripod Stand for Hinged Pipe Vice & Chain Pipe Vice (T182C, T92C, T9212C)	0734442142560	1

Hinged Pipe Vice - Heavy Duty

Specifically designed for holding pipe for controlled work such as drilling, cutting, brazing or welding.

Item No.	Description	EAN	Shelf Pack
T92C	Hinged Pipe Vice from 1/8" - 2" (3 - 50mm)	0734442143529	1
T9212C	Hinged Pipe Vice from 1/8" - 2-1/2" (3 - 60mm)	0734442143642	1
T9312C	Hinged Pipe Vice from 1/8" - 3-1/2" (3 - 90mm)	0734442143765	1
T96	Hinged Pipe Vice from 1/8" - 6" (3 - 150mm)	0734442143888	1
TTS10	Tripod Stand for Hinged Pipe Vice & Chain Pipe Vice (T182C, T92C, T9212C)	0734442142560	1



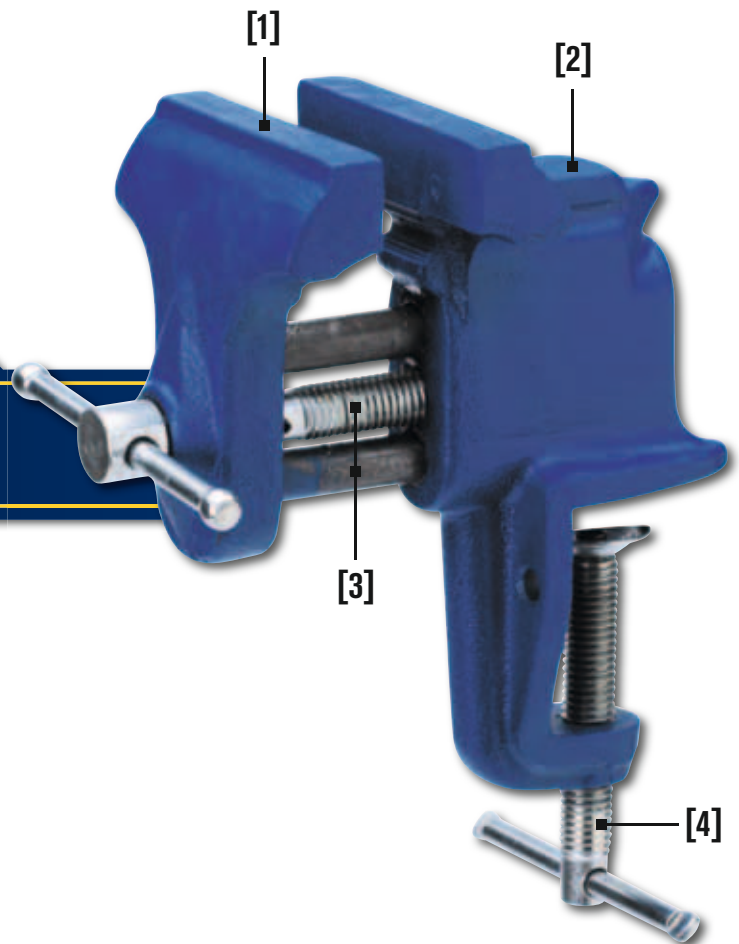
SPARE PARTS ALSO AVAILABLE
SEE FULL LINE CATALOGUE

TABLE VICE - MEDIUM DUTY

This is an ideal portable vice for the amateur and model maker. The built-in clamp allows it to be easily and quickly attached to a bench, table or work surface. Pipe grips are incorporated below the parallel jaws. A useful anvil is also included on the rear of the body. An ideal portable vice for DIY and model making.

TABLE VICE MEDIUM DUTY


1. **PIPE GRIPS**
are incorporated below the parallel jaws.
2. **A USEFUL ANVIL**
is also included on the rear of the body.
3. **STEEL GUIDE RODS AND MAIN SCREW**
for easy and trouble free operation.
4. **THE BUILT-IN CLAMP HAS A MAX. CLAMPING CAPACITY OF 42MM**



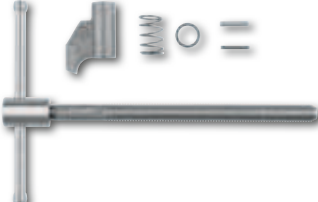
Item No.	Description	EAN	Shelf Pack
TV75B	Table Vice, 75mm	0734442001690	1


REPLACEMENT PARTS & ACCESSORIES

Swivel bases fit Mechanics Vices and one Workshop Vice as noted. Fibre Grips fit IRWIN® Vices and most other brands of vices on the market. Replacement parts listed below are for Mechanics Vices however they are offered for some of the other ranges as well please see the catalog for more details.

SWIVEL BASE		ITEM NO.	DESCRIPTION	EAN	SHELF PACK
	T1SB	Swivel Base, (No. 1 Vice)	0734442002888	1	
	T3SB	Swivel Base, (No. 3 Vice)	0734442003007	1	
	T4SB	Swivel Base, (No. 4 & 5 Vice)	0734442003120	1	
	T6SB	Swivel Base, (No. 6, 8, 25 & 36 Vices)	0734442003366	1	
	T843423SB	Swivel Base, (No. T8434 & 23ZR Vices)	0734442019459	1	
	10507772	Swivel Base for Workshop Vice 10507771	5706915077728	1	

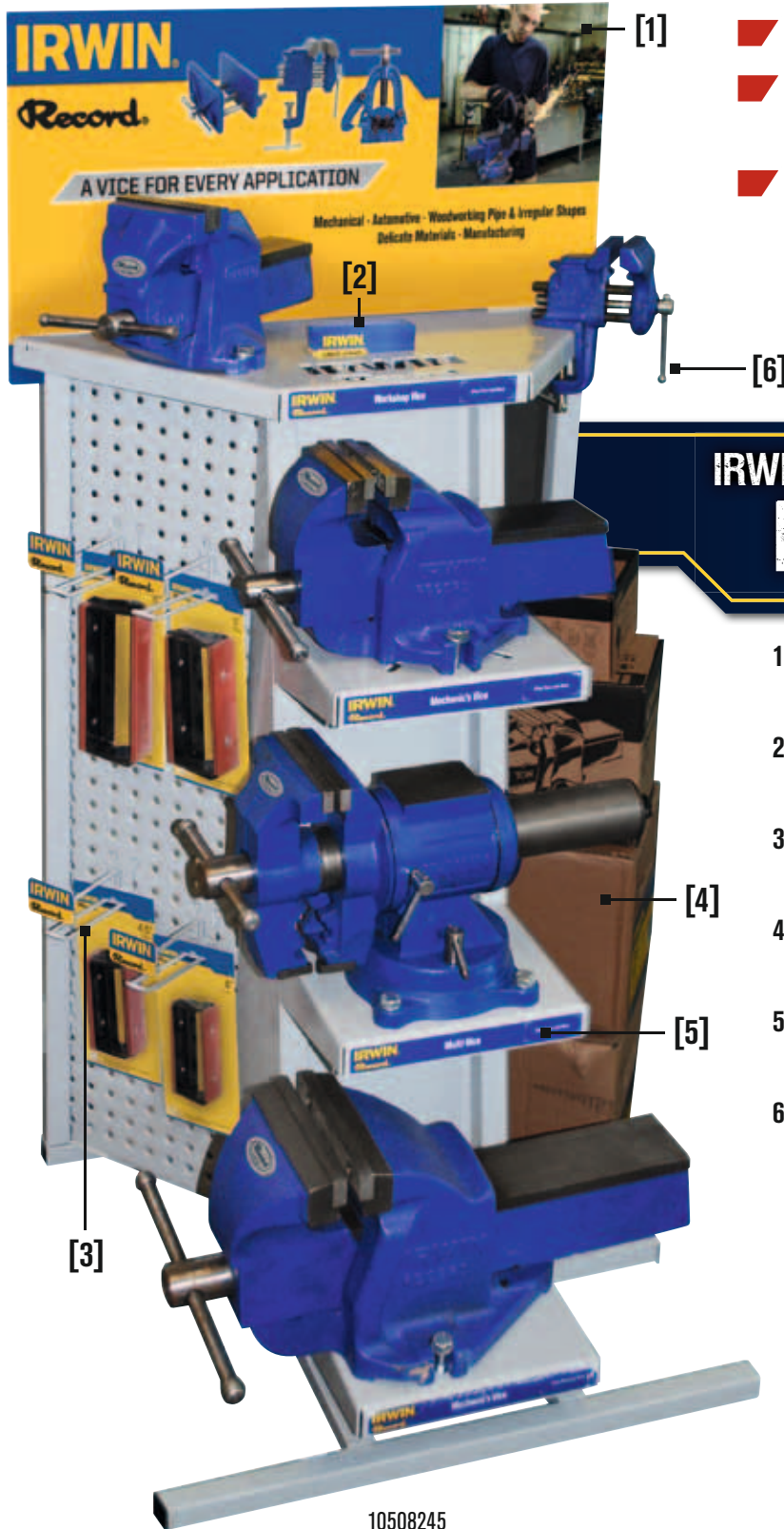
FIBRE GRIPS		ITEM NO.	DESCRIPTION	FIBRE GRIP SIZE	FITS IRWIN RECORD VICES	EAN	SHELF PACK
	FG3	Fibre Grip 75mm	3" / 75mm	1ZR, 226303ZR, TV75B	0734442001928	6	
	FG4	Fibre Grip 100mm	4" / 100mm	3, 226304ZR, 4935504, T41211000, T3TON3VS	0734442002161	6	
	FG412	Fibre Grip 114mm	4.5" / 114mm	4ZR, 23ZR, T8434, 4935507, 2026303	0734442002406	6	
	FG5	Fibre Grip 125mm	5" / 125mm	5, 4935505, 226305ZR	0734442002529	6	
	FG6	Fibre Grip 150mm	6" / 150mm	6, 112, T25, T36 T6TON6VS, 4935506, 226306ZR	0734442002765	6	

MECHANICS VICE REPLACEMENT PARTS		ITEM NO.	DESCRIPTION	EAN	SHELF PACK
	T1C	Mainscrew with Handle, Nut, Pin, Spring Washer No.1 Vice	0734442004561	1	
	T3C	Mainscrew with Handle, Nut, Pin, Spring Washer No.3 Vice	0734442006121	1	
	T4C	Mainscrew with Handle, Nut, Pin, Spring Washer No.4 Vice	0734442006961	1	
	T5C	Mainscrew with Handle, Nut, Pin, Spring Washer No.5 Vice	0734442007807	1	
	T6C	Mainscrew with Handle, Nut, Pin, Spring Washer No.6 Vice	0734442008521	1	
	T8C	Mainscrew with Handle, Nut, Pin, Spring Washer No.8 Vice	0734442009009	1	

MECHANICS VICE REPLACEMENT JAW PLATES		ITEM NO.	DESCRIPTION	EAN	SHELF PACK
	T1D	Pair of Jaw Plates with Screws for No.1 Vice	0734442004684	1	
	T3D	Pair of Jaw Plates with Screws for No.3 Vice	0734442006244	1	
	T4D	Pair of Jaw Plates with Screws for No.4 Vice	0734442007081	1	
	T5D	Pair of Jaw Plates with Screws for No.5 Vice	0734442007920	1	
	T6D	Pair of Jaw Plates with Screws for No.6 Vice	0734442008644	1	
	T8D	Pair of Jaw Plates with Screws for No.8 Vice	0734442009481	1	

Engineers, Fitters, Mechanics, Chain, Hinge Pipe, Plain Screw and Quick-Release Woodworkers Vice spare parts are also available, please see the main IRWIN® Tools catalogue for details.

IRWIN® RECORD® VICE MERCHANDISER



- Point of sale display to drive high value sales
- Interactive merchandiser and stockholding solution
- Merchandiser designed to generate impulse purchases for vices and accessories

IRWIN® RECORD® VICE MERCHANDISER

- BRANDED HEADER CARD**
calling out applications of Record® vices
- TRI-FOLD BROCHURE**
showing full range of program and sku details
- PEG HOOK SPACE**
for fibre grips or other IRWIN® Tools, 5 hooks included
- STORAGE SPACE**
for one of each vice on display
- SHELF LABELS**
with branding, description, and space for retail price
- DISPLAY SPACE**
for holding 5 of the top selling vices, bolts included

10508245



Europe, Middle East and Africa (EMEA) Headquarters

Newell Rubbermaid Europe Sarl
Chemin de Blandonnet 10
CH-1214 Vernier / Geneva
Switzerland
Tel: +41 (0) 22 419 00 00
Fax: +41 (0)22 419 01 92

Belgium, Netherlands & Luxemburg

Newell Rubbermaid by
IRWIN Industrial Tools
Edisonstraat 8
5051 DS Goirle - The Netherlands
Tel: Netherlands +31 (0)20 20 61 636
Fax: +32 (0)20 70 06 026

Eastern Europe

Newell Rubbermaid Poland
Manieczki, ul. Wybickiego 2
63-112 Brodnica - Poland
Tel: +48 (0)61 28 14 200
Fax: +48 (0)61 28 20 524

France

Newell Rubbermaid-
IRWIN Industrial Tools
122, avenue du Général Leclerc
92100 Boulogne Billancourt Cedex - France
Tel: +33 (0) 1 57 32 35 72
Fax: +33 (0) 2 40 38 79 99

Germany, Switzerland and Austria

Newell Rubbermaid -
IRWIN Industrial Tools GmbH
Erching 10 (Schloßgut)
85399 Hallbergmoos - Germany
Tel: +49 (0)69 38 07 89 435
Fax: +49 (0)69 38 07 89 542

Italy

Newell Rubbermaid-
IRWIN Industrial Tools
Viale Edoardo Jenner 55
20159 Milano - Italy
Tel: +39 (0)02 - 66 80 67 61
Fax: +39 (0)02 - 66 80 03 83

Middle East & Africa

A Newell Rubbermaid Company
Dubai Airport Free Zone
West Wing, Building 6W
Block-B, Office 640, PO Box - 54554
Dubai - United Arab Emirates
Tel: +971-4-2923444
Fax: +971-4-2923437

Northern Europe

Newell Rubbermaid A/S
Stamholmen 157, 3 sal
2650 Hvidovre - Denmark
Tel: +45 43 68 22 12
Fax: +45 43 68 22 13

Finland

Puh: +358 972 51 92 52
Faksi: +358 972 51 92 53

Sweden

Tel: +46 (0) 8-517 61 670
Fax: +46 (0) 8-517 61 671

Norway

Tel: +47 24 15 99 24
Fax: +47 24 15 99 25

Spain

NEWELL Iberia
Parque Empresarial Las Mercedes
C/ Campezo Nº 1, Edificio 4
3ª planta derecha.
28022 Madrid - Spain
Tel: +34 91 354 48 00

UK

Newell Rubbermaid -
IRWIN Industrial Tools
Halifax Avenue, Fradley Park
Lichfield, Staffordshire WS13 8SS - UK
Main Tel: +44 (0) 1543 44 70 01
Customer Service Tel: 0844 412 1190
Customer Service Fax: 0844 412 1184