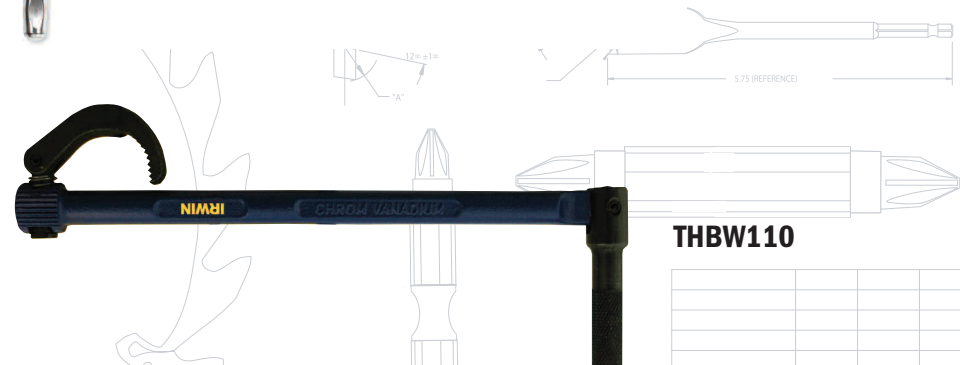
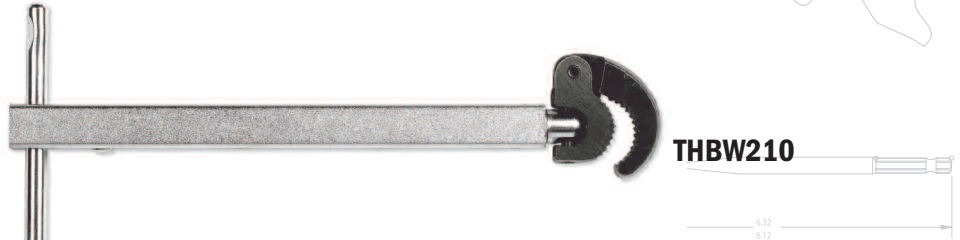


Product:

Basin Wrenches

- A full range of basin wrenches is available under the IRWIN Record brand: The double-ended Back Nut Wrench provides a simple solution for accessing plumbing fixtures situated in hard-to-reach areas.

The THBW110 is an easy to operate 10" adjustable basin wrench which is used for 1/2" and 3/4" fittings and the THBW210 telescopic basin wrench can be additionally adjusted between 9" and 16" to allow easier access to difficult positions under baths, sinks and washbasins.



DWG ISSUE	NAME	DATE	SIGN

DRAWING SPECIFICATION	PROPRIETARY AND CONFIDENTIAL	TOLERANCES		DESCRIPTION
DRAWING SCALE	<small>THE INFORMATION CONTAINED IN THIS DRAWING IS THE SOLE PROPERTY OF IRWIN. IT IS LOANED TO YOU AS A CONSUMER. ANY REPRODUCTION IN PART OR AS A WHOLE WITHOUT WRITTEN PERMISSION OF IRWIN INDUSTRIAL TOOLS GMBH IS PROHIBITED.</small>	LN ANG 0 0 DIMENSIONS ARE IN DATE 22-Sep DO NOT SCALE DWG DRAWN BY 0 COMPONENT VOLUME		IRWIN INDUSTRIAL TOOLS GMBH Lilienthalstrasse 7 D - 85399 Hallbergmoos Phone: +49 (0)811 9598-0
SHEET NUMBER		A3		DWG NO

▶ PRODUCT INFORMATION				
Part #	Description	EAN	Shelf pack	Master pack
T6552	1/2" x 3/4" (Backnut Wrench)	0734442233046	6	100
THBW110	10" Adjustable Basin Wrench	0686182000528	10	-
THBW210	9 - 16" Telescopic Basin Wrench	0686182002089	10	-